

PARTS MANUAL

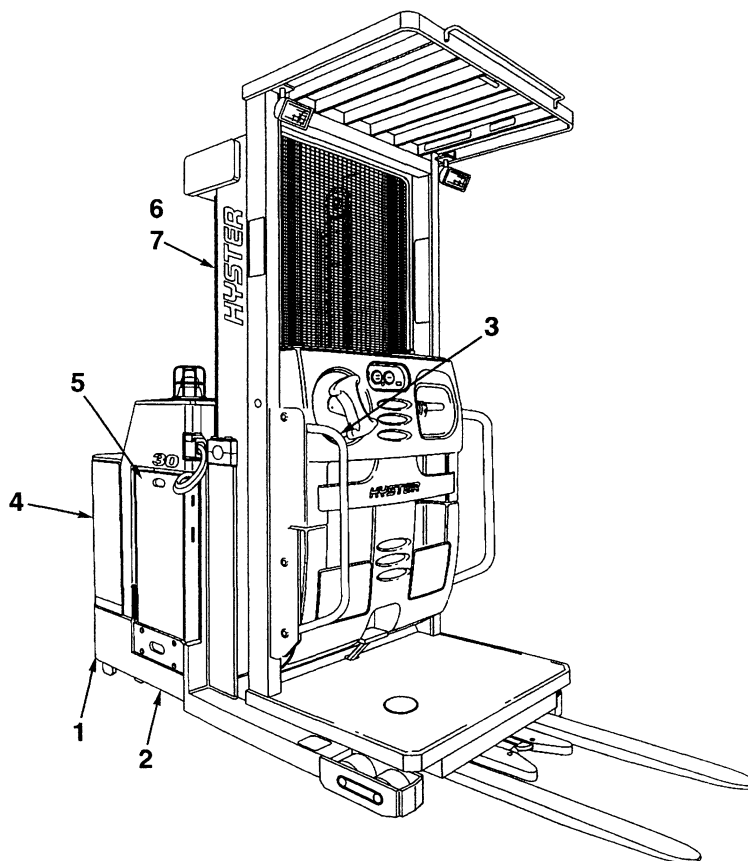
**ELECTRIC
R30XMS**

(C174)

CUSTOMER EDITION

HYSTER

ILLUSTRATED CONTENTS



NA01017

1	Frame	1
2	Drive Unit	11
3	Steering	17
4	Hydraulic	25
5	Electrical	33
6	Mast - Two Stage	47
7	Mast - Three Stage	61
	Options	75
	Numerical Index	91

TABLE OF CONTENTS

DESCRIPTION	PAGE NO.
BATTERY DISCONNECT (Figure 24)	39
BATTERY TRAY (Figure 57)	90
BRAKE (Figure 9) FIRST USED ON S/N C174N01670W	16
BRAKE (Figure 8) LAST USED ON S/N C174N01669W	15
CARRIAGE (Figure 43) THREE STAGE	72
CARRIAGE (Figure 36) TWO STAGE	58
CHAINS, PINS, AND ANCHORS (Figure 42) THREE STAGE	70
CHAINS, PINS, AND ANCHORS (Figure 35) TWO STAGE	56
CONTACTOR - FORWARD AND REVERSE (Figure 28)	44
CONTACTOR PANEL (Figure 27)	43
DECAL AND PLATE LOCATION (Figure 3)	6
DRIVE MOTOR (Figure 7)	14
DRIVE UNIT (Figure 6)	12
ELECTRICAL (Figure 22) FIRST USED ON S/N C174N01670W	36
ELECTRICAL (Figure 21) LAST USED ON S/N C174N01669W	34
FIXED CONSOLE (Figure 47)	78
FORK (Figure 45)	76
FULL BODY FAN INSTALLATION (Figure 53)	84
GUIDANCE ASSEMBLY (Figure 55)	88

TABLE OF CONTENTS

DESCRIPTION	PAGE NO.
GUIDE ROLLER (Figure 56)	89
HOODS AND COVERS (Figure 1)	2
HYDRAULIC (Figure 15)	26
HYDRAULIC MOTOR (Figure 19) USED ON MASTS 216 IN MFH AND ABOVE	30
HYDRAULIC MOTOR (Figure 20) USED ON MASTS UP TO 213 IN MFH	31
HYDRAULIC PUMP (Figure 18) USED ON MAST 216 IN MFH AND ABOVE	29
HYDRAULIC PUMP (Figure 17) USED ON MAST UP TO 213 IN MFH	28
HYDRAULIC TANK (Figure 16)	27
INSTRUMENT PANEL (Figure 23)	38
LIFT CONTACTOR (Figure 29)	45
LIFT LIMIT SWITCH INSTALLATION (Figure 52)	83
LIFT (Figure 39) THREE STAGE WITHOUT WIRE GUIDANCE	64
LIFT (Figure 40) THREE STAGE WITH WIRE GUIDANCE	66
LIFT (Figure 32) TWO STAGE WITHOUT WIRE GUIDANCE	50
LIFT (Figure 33) TWO STAGE WITH WIRE GUIDANCE	52
LIGHT AND FAN INSTALLATION (Figure 50)	81
LOAD WHEEL (Figure 2)	4
MAIN CONTACTOR (Figure 30)	46
MAIN CYLINDER INSTALLATION (Figure 41) THREE STAGE	68
MAIN CYLINDER INSTALLATION (Figure 34) TWO STAGE	54

TABLE OF CONTENTS

DESCRIPTION	PAGE NO.
MAIN CYLINDER (Figure 44) THREE STAGE	74
MAIN CYLINDER (Figure 37) TWO STAGE	60
MASTS - OUTER AND INNER (Figure 31) TWO STAGE	48
MASTS - OUTER, INTERMEDIATE, AND INNER (Figure 38) THREE STAGE	62
MULTI-FUNCTION CONTROL HANDLE (Figure 25)	40
MULTI-TURN STEERING WITHOUT WIRE GUIDANCE (Figure 48)	79
MULTI-TURN STEERING WITH WIRE GUIDANCE (Figure 49)	80
OPERATOR PLATFORM (Figure 4)	8
OPERATOR PLATFORM CONTROLS (Figure 5)	10
PALLET CLAMP (Figure 46)	77
PIVOTING HANDRAIL (Figure 54)	86
RELAY PANEL (Figure 26) LAST USED ON S/N C174N01669W	42
RETURN TO CENTER (RTC) STEER (Figure 12)	22
SPEED REDUCER WITH WIRE GUIDANCE (Figure 14)	24
STEERING MOTOR (Figure 13)	23
STEERING WITHOUT WIRE GUIDANCE (Figure 10)	18
STEERING WITH WIRE GUIDANCE (Figure 11)	20
WIRE GUIDANCE SENSORS (Figure 51)	82

HOW TO USE THE ILLUSTRATED PARTS MANUAL

This parts manual describes and illustrates assemblies, subassemblies, and detail parts needed for service replacement.

The different constructions are indicated by keys, symbols, and footnotes.

Page 2
SERIAL CODE B174
HYSTER
TABLE OF CONTENTS

DESCRIPTION	PAGE
Accelerator	58-59
Accumulator	184
Asie-Drum	24-25
Asie-Steering	42-43
Drum	
Brake-Park, Lever Actuated	
Brake-Park, Slat Actuated	
Carriage Side-Shift	
Carriage Vista Two-Stage Full Free Lift	
Carriage Vista Three-Stage Full Free Lift	

Page 9
SERIAL CODE B174
HYSTER
MOTOR-TRACTION (Figure 4)
LAST USED ON PENDING SIN PER ECN 96020

Page 180
SERIAL CODE B174
HYSTER
INDEX-NUMERICAL

PART NO	FIGURE	REF NO	PART NO	FIGURE	REF NO	PART NO	FIGURE	REF NO	PART NO	FIGURE	REF NO		
368587	48	1	370159	42	11	373126	11	14	373605	51	375158	2	
368588	48	1	370251	1	7	373206	82	373207	82	373906	22	375159	3
368591	47	2	370252	1	1	373211	82	373211	82	373907	22	375160	3
368615	48	2	370254	1	1	373220	70	373221	66	373613	43	375161	3
368616	54	1	370255	1	1	373222	66	373222	66	373614	43	375162	3
368618	30	2	370257	1	1	373224	66	373224	66	373615	42	375163	3
368618	47	2	370254	1	1	373224	66	373224	66	373617	42	375168	3
368642	48	8	370254	1	1	373224	66	373224	66	373617	42	375170	3
368643	43	4	370254	1	1	373224	66	373224	66	373617	42	375175	59
368688	38	1	370254	1	1	373224	66	373224	66	373617	42	375177	59

Page 1
SERIAL CODE B174
HYSTER
ILLUSTRATED CONTENTS

REF.	DIVISION	PAGE
1	Frame	1
2	Master Drive Unit	22
3	Steering	35
4	Brake System	44
5	Electrical	56
6	Hydraulic	67
7	Mast-Vista Two Stage	72
8	Mast-Vista Three Stage	82
9	Carriage	96
10	Options	102

Page 9
SERIAL CODE B174
HYSTER
MOTOR-TRACTION (Figure 4)
LAST USED ON PENDING SIN PER ECN 96020

KEY:
A: 24 Volt-N30-40XMR, N25XMDR, N50XMA
B: 36 Volt-N40XMR, N25XMDR, N50XMA
C: 36 Volt-N25XMR, N30XMDR

REF.	PART NO.	NAME OF PART	QTY.	REF.	PART NO.
1	2015434	Motor	1	9	203204
2	2015436	Motor	1	9	203207
3	2015435	Motor	1	10	3287
4	2015437	Motor	1	11	369
5	2014592	Motor	1	12	201
6	2014592	Motor	1	12	201
7	2032087	Cover-CE	1	13	39
8	2032089	Cover-CE	1	13	20
9	2032088	Cover-CE	1	14	12
10	2032090	Yoke/Bearing Support	1	15	24
11	2012286	Brush	1	16	
12	369R37	Yoke/Holder	1	17	
13	328750	Spring/Brush	1	18	
14	369R38	Clay Motor	1	19	
15	369R39	Connector	1		
16	2032039	Field	1		
17	2032042	Field	1		
18	2032040	Field	1		

See Service Manual for service procedures

©1997 HYSTER COMPANY

WHEN THE PART NUMBER AND THE NEXT HIGHER ASSEMBLY ARE NOT KNOWN:

1. Determine the function and application of the part required. Turn to the Illustrated Contents page, immediately behind the front cover, and select the most appropriate area.
2. Use the Section Index to determine the assembly that would normally contain the part required. Then locate the part on the assembly breakdown page.

WHEN THE PART NUMBER IS NOT KNOWN AND THE NEXT HIGHER ASSEMBLY IS KNOWN:

3. Determine the assembly that the required part is used on. Turn to the Table of Contents page immediately following the Illustrated Contents.
4. Locate the assembly that the required part is used on, and turn to the page indicated for that assembly. Locate the part on the assembly breakdown page.

WHEN THE PART NUMBER IS KNOWN:

5. Use the Numerical Index to find the part number. Turn to the Page listed, and locate the part indicated by the reference number.

GENERAL:

The assembly breakdowns include part numbers, description, quantities required, keys, and footnotes to help in selecting the correct parts.

6. Keys show the effective serial numbers for two or more similar assemblies, RH and LH assembly parts, etc. Select the appropriate key; "A", "B", "C", or "D" and the corresponding quantity column to find the required parts.
7. Indented descriptions under "Name of Part" are used to indicate subparts of assemblies. A major assembly is not indented. Parts under the first, second, or third indent are subparts of the major assembly shown above them.
8. Quantities shown are for one assembly. Note that if more than one assembly is indicated, subsequent subparts still show only those quantities required for a single assembly.
9. Engineering Change Notice (ECN) numbers for pending serial numbers are shown to allow for the inclusion of the most current parts information. Contact your local dealer for Hyster lift trucks for serial number information listed by ECN number.

ORDERING PARTS:

When ordering replacement parts, give the unit serial number, part number, name of part, and quantity required.

For any further information on parts, service, or ordering, consult your local dealer for Hyster lift trucks.

Please Click Here To Download The Complete Manual
Download Other Manuals
If Having Any Questions Feel Free To Contact us

admin@servicemanualbit.com