

PARTS MANUAL

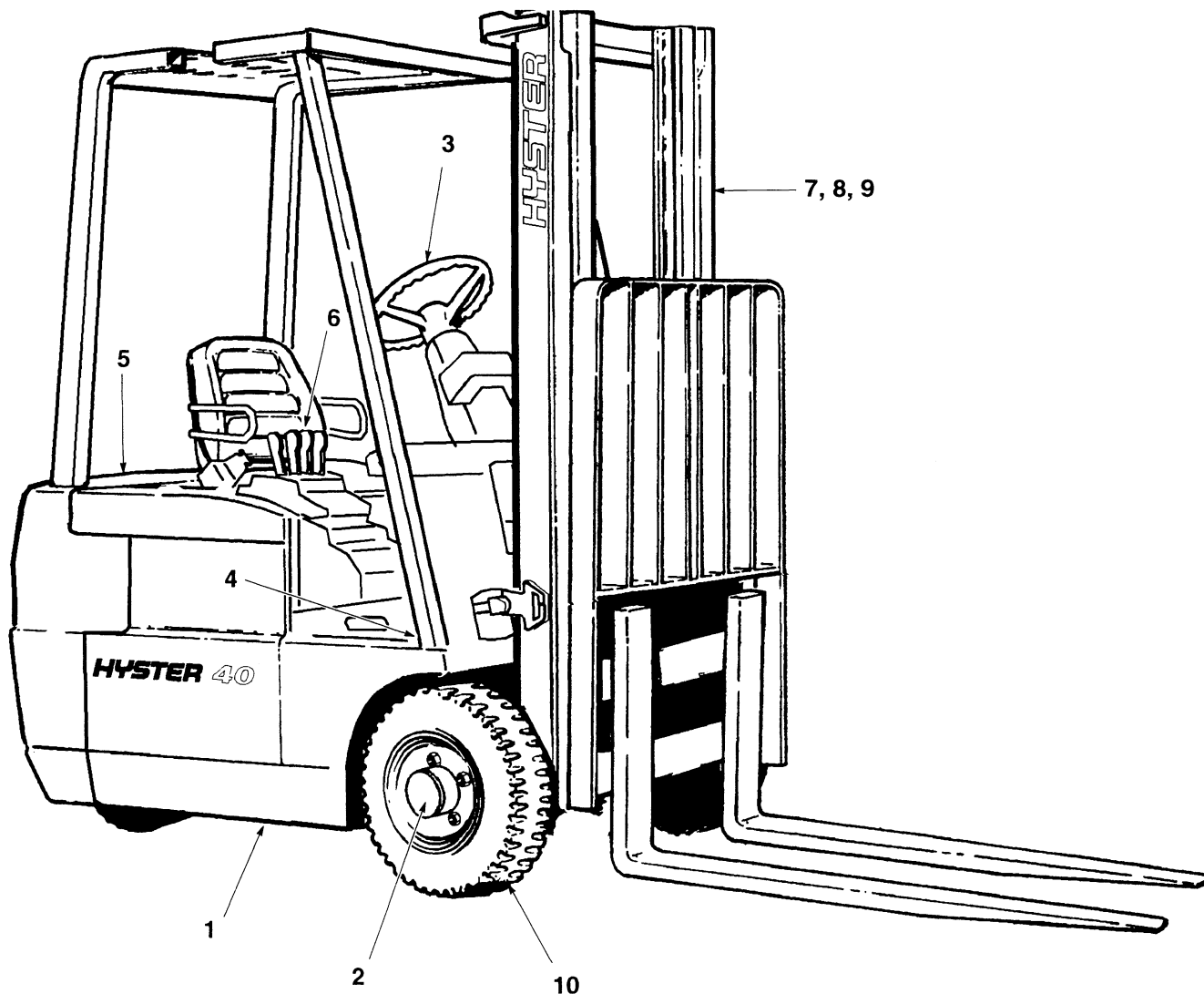
**ELECTRIC
J30-35-40XMT**

(C160)

CUSTOMER EDITION

HYSTER

ILLUSTRATED CONTENTS



REF.	DIVISION	PAGE
1	Frame	1
2	Drive Axle	15
3	Steering	27
4	Brake/Accelerator	37
5	Electrical	49
6	Hydraulic	75
7	Mast—Two-Stage (LFL) Limited Free Lift	91
8	Mast—Three-Stage (FFL) Full Free Lift	107
9	Mast—Two-Stage (FFL) Full Free Lift	127
10	Optional Equipment	147
11	Numerical Index	183

TABLE OF CONTENTS

DESCRIPTION	PAGE NO.
ACCELERATOR PEDAL (Figure 20)	38
AXLE-STEERING (Figure 14)	30
BACK-UP ALARM (Figure 88)	156
BATTERY ROLLER AND RETAINER (Figure 101)	178
BRAKE-BACK-UP LIGHT (Figure 100)	176
BRAKE PEDAL LINKAGE (Figure 21)	40
CALIPER (Figure 25)	47
CARRIAGE (Figure 65) THREE STAGE (FFL) FULL FREE LIFT MAST	118
CARRIAGE (Figure 76) TWO STAGE (FFL) FULL FREE LIFT MAST	138
CARRIAGE (Figure 54) TWO STAGE (LFL) LIMITED FREE LIFT MAST	98
CONNECTOR-BATTERY (Figure 43)	73
CONTACTOR PANEL "EE" (Figure 96) SCR HYDRAULIC	168
CONTACTOR PANEL "EE" (Figure 89) SINGLE SPEED PUMP	158
CONTACTOR PANEL-FIELD WEAKENING (Figure 97)	170
CONTACTOR PANEL-LIFT PUMP/POWER STEER (Figure 31) CONTACTOR HYDRAULICS	60
CONTACTOR PANEL-LIFT PUMP/POWER STEER (Figure 32) SCR HYDRAULICS	61
CONTACTOR PANEL-TRACTION (Figure 30)	58
CONTACTOR PANEL-TRACTION "EE" (Figure 92)	162
CONTACTOR-AC ARMATURE (Figure 33)	62
CONTACTOR-AC ARMATURE "EE" (Figure 93)	164
CONTACTOR-FIELD WEAKENING (Figure 98)	171
CONTACTOR-FORWARD/REVERSE (Figure 34)	63
CONTACTOR-FORWARD/REVERSE "EE" (Figure 94)	165

TABLE OF CONTENTS

DESCRIPTION	PAGE NO.
CONTACTOR-POWER STEER (Figure 36)	65
CONTACTOR-POWER STEER "EE" (Figure 91)	161
CONTACTOR-PUMP (Figure 37) CONTACTOR HYDRAULICS	66
CONTACTOR-PUMP (Figure 38) SCR HYDRAULICS	67
CONTACTOR-PUMP "EE" (Figure 90)	160
CONTACTOR-1A (Figure 35)	64
CONTACTOR-1A/SCR PUMP "EE" (Figure 95)	166
CONTROL VALVE (Figure 46)	80
COUNTERWEIGHT (Figure 3)	5
COWL ELECTRICAL (Figure 39) HORN/ACCELERATOR SWITCH	68
CYLINDER (Figure 53) TWO STAGE (LFL) LIMITED FREE LIFT MAST	96
DC-DC CONVERTOR (Figure 104)	182
DRIVE UNIT (Figure 7) (Figure 8)	16, 17
ELECTRICAL ARRANGEMENT (Figure 26) CONTACTOR HYDRAULICS	50
ELECTRICAL ARRANGEMENT (Figure 27) SCR HYDRAULICS	52
ELECTRICAL COMPONENTS (Figure 98) PARK BRAKE	172
FORK (Figure 70) THREE STAGE (FFL) FULL FREE LIFT MAST	126
FORK (Figure 81) TWO STAGE (FFL) FULL FREE LIFT MAST	146
FORK (Figure 59) TWO STAGE (LFL) LIMITED FREE LIFT MAST	106
FREE LIFT (Figure 62) THREE STAGE (FFL) FULL FREE LIFT MAST	112

TABLE OF CONTENTS

DESCRIPTION	PAGE NO.
FREE LIFT (Figure 73) TWO STAGE (FFL) FULL FREE LIFT MAST	132
FREE LIFT CYLINDER (Figure 64) THREE STAGE (FFL) FULL FREE LIFT MAST	116
FREE LIFT CYLINDER (Figure 75) TWO STAGE (FFL) FULL FREE LIFT MAST	136
FRONT DRIVING/REAR WORK LIGHTS (Figure 86)	152
HAND PUMP (Figure 15)	32
HEADER HOSE (Figure 69) THREE STAGE (FFL) FULL FREE LIFT MAST	124
HEADER HOSE (Figure 80) TWO STAGE (FFL) FULL FREE LIFT MAST	144
HEADER HOSE (Figure 58) TWO STAGE (LFL) LIMITED FREE LIFT MAST	104
HEADER HOSE CONNECTION GROUP (Figure 68) THREE STAGE (FFL) FULL FREE LIFT MAST	122
HEADER HOSE CONNECTION GROUP (Figure 79) TWO STAGE (FFL) FULL FREE LIFT MAST	142
HEADER HOSE CONNECTION GROUP (Figure 57) TWO STAGE (LFL) LIMITED FREE LIFT MAST	102
HOODS AND COVERS (Figure 1)	2
HYDRAULIC MOTOR (Figure 48)	84
HYDRAULIC PUMP (Figure 47)	83
HYDRAULIC SYSTEM (Figure 50)	88
INNER/INTERMEDIATE/OUTER MAST (Figure 60) THREE STAGE (FFL) FULL FREE LIFT MAST	108
INNER/OUTER MAST (Figure 71) TWO STAGE (FFL) FULL FREE LIFT MAST	128
INNER/OUTER MAST (Figure 51) TWO STAGE (LFL) LIMITED FREE LIFT MAST	92
INSTRUMENT CLUSTER (Figure 41) STANDARD DISPLAY	70
INSTRUMENT PANEL (Figure 40)	69

TABLE OF CONTENTS

DESCRIPTION	PAGE NO.
LABELS AND PAINT (Figure 6)	12
LIFT (Figure 52) TWO STAGE (LFL) LIMITED FREE LIFT MAST	94
LOAD BACKREST EXTENSION (Figure 66) THREE STAGE (FFL) FULL FREE LIFT MAST	119
LOAD BACKREST EXTENSION (Figure 77) TWO STAGE (FFL) FULL FREE LIFT MAST	139
LOAD BACKREST EXTENSION (Figure 55) TWO STAGE (LFL) LIMITED FREE LIFT MAST	99
LOWER VALVE LINKAGE (Figure 45)	78
MAIN CYLINDER (Figure 63) THREE STAGE (FFL) FULL FREE LIFT MAST	114
MAIN CYLINDER (Figure 74) TWO STAGE (FFL) FULL FREE LIFT MAST	134
MAIN LIFT (Figure 61) THREE STAGE (FFL) FULL FREE LIFT MAST	110
MAIN LIFT (Figure 72) TWO STAGE (FFL) FULL FREE LIFT MAST	130
MASTER CYLINDER AND RESERVOIR (Figure 22)	42
MOTOR COOLING FAN SERVICE KIT (Figure 102)	180
OVERHEAD GUARD (Figure 2)	6
PARK BRAKE LINKAGE (Figure 23) FOOT OPERATED	44
PARK BRAKE OPTION (Figure 99) ELECTRICALLY RELEASED	174
PARKING BRAKE CALIPER (Figure 24)	46
SCR PANEL-PUMP (Figure 29)	56
SCR PANEL-TRACTION (Figure 28)	54
SEAT (Figure 4) NON-SUSPENSION	8
SEAT (Figure 5) SUSPENSION	10
SHIFT LEVER (Figure 42)	72

TABLE OF CONTENTS

DESCRIPTION	PAGE NO.
SIDESHIFTER (Figure 82)	148
SIDESHIFTER CYLINDER (Figure 83)	149
STEER CYLINDER (Figure 16)	33
STEER PUMP (Figure 18)	35
STEERING INTERFACE PANEL (Figure 17)	34
STEERING MOTOR (Figure 19)	36
STEERING POD (Figure 13)	28
STROBE LIGHT AND STROBE LIGHT/REAR LIGHT COMBINATION (Figure 87)	154
TILT CYLINDER (Figure 49)	86
TILT CYLINDER INSTALLATION (Figure 67) THREE STAGE (FFL) FULL FREE LIFT MAST	120
TILT CYLINDER INSTALLATION (Figure 78) TWO STAGE (FFL) FULL FREE LIFT MAST	140
TILT CYLINDER INSTALLATION (Figure 56) TWO STAGE (LFL) LIMITED FREE LIFT MAST	100
TIRE/WHEEL (Figure 84) DRIVE/STEER	150
TIRE/WHEEL (Figure 85) DRIVE/STEER	150
TRACTION MOTOR (Figure 11) (Figure 12)	22, 24
TRANSMISSION (Figure 9) (Figure 10)	18, 20
UPPER VALVE LINKAGE (Figure 44)	76

Please Click Here To Download The Complete Manual
Download Other Manuals
If Having Any Questions Feel Free To Contact us

admin@servicemanualbit.com