

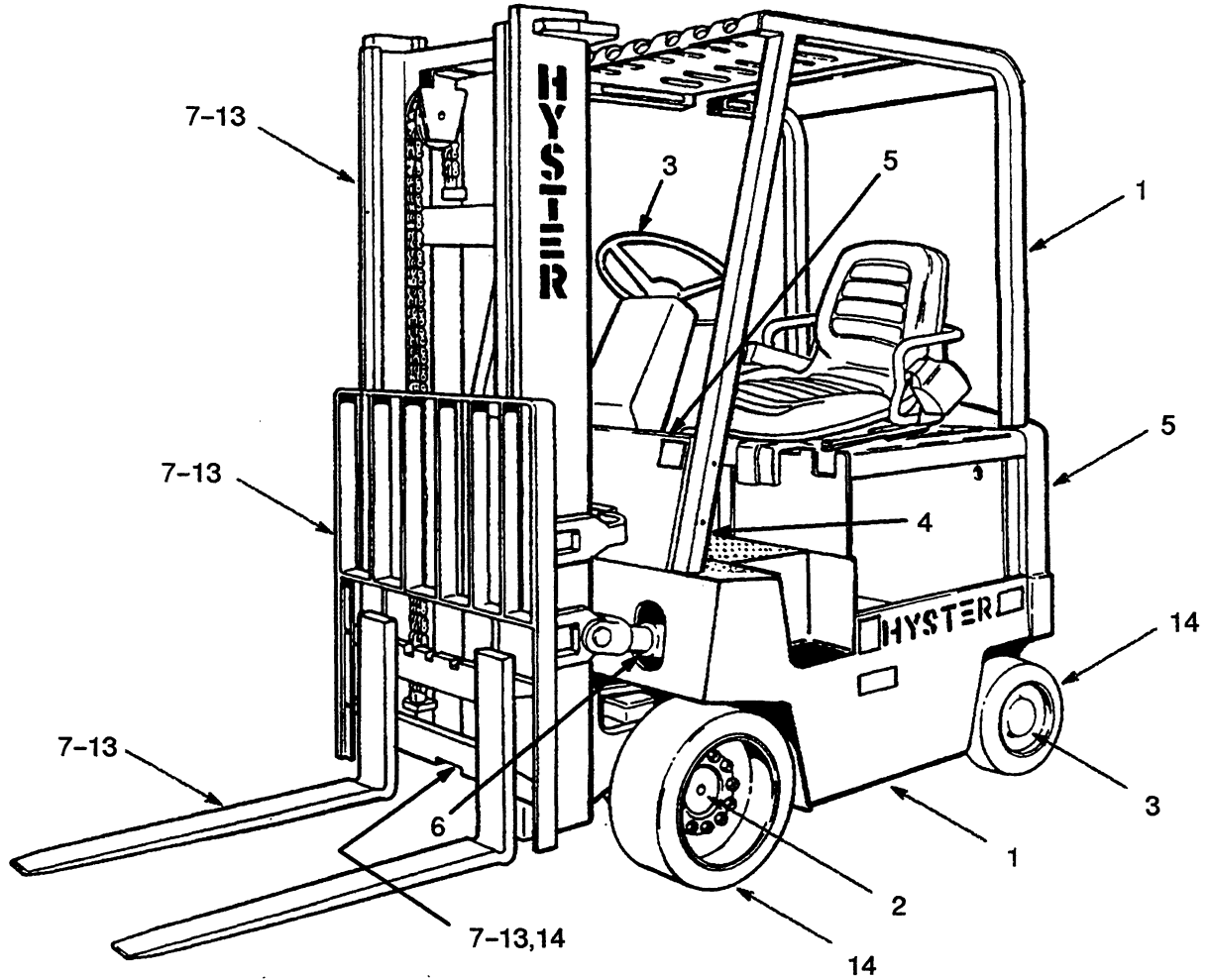
PARTS MANUAL

**ELECTRIC
E40XL, E50XL, E55XL,
E60XL
(C108)**

CUSTOMER EDITION

HYSTER

ILLUSTRATED CONTENTS



REF	DIVISION	PAGE
1	FRAME	Page 3
2	DRIVE AXLE	Page 15
3	STEERING	Page 27
4	BRAKE & ACCELERATOR	Page 45
5	ELECTRICAL SYSTEM	Page 63
6	HYDRAULIC	Page 111
7	MAST-VISTA TWO-STAGE LFL (A507)	Page 131
8	MAST-GLOBAL TWO-STAGE LFL (C507, C562)	Page 149
9	MAST-VISTA THREE-STAGE FFL (A508)	Page 169
10	MAST-GLOBAL THREE-STAGE FFL (C508, C563)	Page 203
11	MAST-VISTA TWO-STAGE FFL (A509)	Page 227
12	MAST-GLOBAL TWO-STAGE FFL (C509, C564)	Page 255
13	MAST-VISTA FOUR-STAGE FFL (B515)	Page 277
14	OPTIONAL EQUIPMENT	Page 295
	NUMERICAL INDEX	Page 315

TABLE OF CONTENTS

<u>DESCRIPTION</u>	<u>PAGE</u>
A	
ACCELERATOR (Figure 33)	Page 60
ACCELERATOR PEDAL (Figure 34)	Page 62
B	
BACKUP ALARM (Figure 182) EV-100LX CONTROLLER	Page 313
BATTERY CONNECTOR (Figure 46)	Page 88
BATTERY DISCHARGE INDICATOR (Figure 62) WITH LIFT INTERRUPT & BRUSH WEAR INDICATOR	Page 108
BATTERY DISCHARGE INDICATOR (Figure 63)	Page 109
BATTERY DISCHARGE INDICATOR (Figure 64) LED DISPLAY	Page 110
BATTERY SIDE ROLLER (Figure 183)	Page 314
BONNET (Figure 6) TRUCK MOUNTED	Page 10
BONNET (Figure 7) LIFT-OFF	Page 11
BRAKE (Figure 28)	Page 52
BRAKE (Figure 29)	Page 54
BRAKE LINKAGE (Figure 25) WITH TRACTION CONTROL SWITCH	Page 46
BRAKE LINKAGE (Figure 26) WITHOUT TRACTION CONTROL SWITCH	Page 48
C	
CARRIAGE (Figure 128) SIX ROLLER GLOBAL THREE-STAGE FFL	Page 222
CARRIAGE (Figure 156) GLOBAL TWO-STAGE FFL FOUR ROLLER	Page 272
CARRIAGE (Figure 157) GLOBAL TWO-STAGE FFL SIX ROLLER	Page 273
CARRIAGE (Figure 96) GLOBAL TWO-STAGE LFL FOUR ROLLER	Page 164

TABLE OF CONTENTS

<u>DESCRIPTION</u>	<u>PAGE</u>
C (Continued)	
CARRIAGE (Figure 97) GLOBAL TWO-STAGE LFL SIX ROLLER	Page 165
CARRIAGE (Figure 114) VISTA THREE-STAGE FFL	Page 198
CARRIAGE (Figure 142) VISTA TWO-STAGE FFL	Page 251
CARRIAGE (Figure 169) VISTA FOUR-STAGE FFL	Page 292
CARRIAGE (Figure 85) VISTA TWO-STAGE LFL	Page 144
CARRIAGE VISTA THREE-STAGE FFL (Figure 113)	Page 197
CONTACTOR (Figure 60) ON-DEMAND STEERING	Page 105
CONTACTOR PANEL (Figure 47) WITHOUT REGENERATIVE BRAKING	Page 90
CONTACTOR PANEL (Figure 49) WITH REGENERATIVE BRAKING	Page 92
CONTACTOR-1A/PUMP (Figure 52) STANDARD	Page 96
CONTACTOR-1A/RB & FIELD WEAKENING (Figure 59)	Page 104
CONTACTOR-1A/RB (Figure 53) PREMIUM	Page 97
CONTACTOR-1A/RB (Figure 54)	Page 98
CONTACTOR-FIELD WEAKENING (Figure 56) PREMIUM	Page 100
CONTACTOR-FIELD WEAKENING (Figure 57)	Page 101
CONTACTOR-FORWARD/REVERSE (Figure 50)	Page 93
CONTACTOR-FORWARD/REVERSE (Figure 51)	Page 95
CONTACTOR-PUMP (Figure 55) CONTACTOR HYDRAULIC	Page 99
CONTROL PANEL (Figure 36) STANDARD	Page 68
CONTROL PANEL (Figure 37) PREMIUM	Page 70

TABLE OF CONTENTS

<u>DESCRIPTION</u>	<u>PAGE</u>
C (Continued)	
CONTROL PANEL (Figure 40) CONTACTOR HYDRAULIC	Page 76
CONTROL PANEL (Figure 43) SCR HYDRAULIC	Page 82
CONTROL VALVE (Figure 74) TWO FUNCTION	Page 124
CONTROL VALVE (Figure 75) THREE FUNCTION	Page 126
CONTROL VALVE (Figure 76) FOUR FUNCTION	Page 128
CONTROL VALVE LINKAGE (Figure 73)	Page 122
COUNTERWEIGHT (Figure 5)	Page 9
CYLINDER (Figure 94) GLOBAL TWO-STAGE LFL (E40-50XL)	Page 160
CYLINDER (Figure 95) GLOBAL TWO-STAGE LFL (E60XL)	Page 162
CYLINDER GLOBAL TWO-STAGE LFL (E40-50XL)	Page 161
D	
DRIVE AXLE (Figure 10)	Page 16
E	
ELECTRICAL SYSTEM (Figure 35)	Page 66
ELECTRICAL SYSTEM (Figure 38) CONTACTOR HYDRAULIC	Page 72
ELECTRICAL SYSTEM (Figure 39) CONTACTOR HYDRAULIC	Page 74
ELECTRICAL SYSTEM (Figure 41) SCR HYDRAULIC	Page 78
ELECTRICAL SYSTEM (Figure 42) SCR HYDRAULIC	Page 80
EV100LX CONTACTOR PANEL (Figure 48) WITHOUT REGENERATIVE BRAKING	Page 91
EV-100LX CONTACTOR PANEL (Figure 58) WITH REGENERATIVE BRAKING	Page 102

TABLE OF CONTENTS

DESCRIPTION	PAGE
F	
FLOORPLATES & COVERS (Figure 3)	Page 6
FORKS (Figure 100) GLOBAL TWO-STAGE LFL (E60XL)	Page 168
FORKS (Figure 116) VISTA THREE-STAGE FFL (E40-55XL)	Page 200
FORKS (Figure 117) VISTA THREE-STAGE FFL (E60XL)	Page 201
FORKS (Figure 130) GLOBAL THREE-STAGE FFL (E40-50XL)	Page 224
FORKS (Figure 131) GLOBAL THREE-STAGE FFL (E60XL)	Page 225
FORKS (Figure 144) VISTA TWO-STAGE FFL (E40-55XL)	Page 253
FORKS (Figure 145) VISTA TWO-STAGE FFL (E60XL)	Page 254
FORKS (Figure 159) GLOBAL TWO-STAGE FFL (E40-50XL)	Page 275
FORKS (Figure 160) GLOBAL TWO-STAGE FFL (E60XL)	Page 276
FORKS (Figure 171) VISTA FOUR-STAGE FFL (E40-50XL)	Page 294
FORKS (Figure 87) VISTA TWO-STAGE LFL	Page 146
FORKS (Figure 88) VISTA TWO-STAGE LFL	Page 147
FORKS (Figure 99) GLOBAL TWO-STAGE LFL (E40-50XL)	Page 167
FREE-LIFT (Figure 122) GLOBAL THREE-STAGE FFL	Page 212
FREE-LIFT CYLINDER (Figure 126) GLOBAL THREE-STAGE FFL (E40-50XL)	Page 220
FREE-LIFT CYLINDER (Figure 127) GLOBAL THREE-STAGE FFL (E60XL)	Page 221
FREE-LIFT (Figure 149) GLOBAL TWO-STAGE FFL	Page 262
FREE-LIFT CYLINDER (Figure 154) GLOBAL TWO-STAGE FFL (E40-50XL)	Page 270

TABLE OF CONTENTS

<u>DESCRIPTION</u>	<u>PAGE</u>
F (Continued)	
FREE-LIFT CYLINDER (Figure 155) GLOBAL TWO-STAGE FFL (E60XL)	Page 271
FREE -LIFT CYLINDER (Figure 138) VISTA TWO-STAGE FFL	Page 240
FREE-LIFT CYLINDER (Figure 109) VISTA THREE-STAGE FFL	Page 186
FREE-LIFT CYLINDER (Figure 166) VISTA FOUR-STAGE FFL	Page 287
FREE-LIFT (Figure 106) VISTA THREE-STAGE FFL	Page 180
FREE-LIFT (Figure 107) VISTA THREE-STAGE FFL	Page 182
H	
HAND PUMP (Figure 16)	Page 30
HAND PUMP (Figure 17) OPTIONAL	Page 32
HEADER HOSE (Figure 124) GLOBAL THREE-STAGE FFL	Page 216
HEADER HOSE (Figure 151) GLOBAL TWO-STAGE FFL	Page 266
HEADER HOSE (Figure 93) GLOBAL TWO-STAGE LFL	Page 158
HEADER HOSE (Figure 111) VISTA THREE-STAGE FFL	Page 190
HEADER HOSE (Figure 112) VISTA THREE-STAGE FFL	Page 194
HEADER HOSE (Figure 140) VISTA TWO-STAGE FFL	Page 244
HEADER HOSE (Figure 141) VISTA TWO-STAGE FFL	Page 248
HEADER HOSE (Figure 168) VISTA FOUR-STAGE FFL	Page 290
HEADER HOSE (Figure 83) VISTA TWO-STAGE LFL	Page 140
HEADER HOSE (Figure 84) VISTA TWO-STAGE LFL	Page 142

TABLE OF CONTENTS

<u>DESCRIPTION</u>	<u>PAGE</u>
H (Continued)	
HYDRAULIC (Figure 65)	Page 112
HYDRAULIC MOTOR (Figure 68) STANDARD	Page 117
HYDRAULIC MOTOR (Figure 69) STANDARD	Page 118
HYDRAULIC MOTOR (Figure 70) PREMIUM	Page 119
HYDRAULIC MOTOR (Figure 71) PREMIUM	Page 120
HYDRAULIC PUMP (Figure 67)	Page 116
HYDRAULIC TANK (Figure 77)	Page 130
I	
INNER MAST (Figure 120) GLOBAL THREE-STAGE FFL	Page 208
INNER MAST (Figure 147) GLOBAL TWO-STAGE FFL	Page 258
INNER MAST (Figure 90) GLOBAL TWO-STAGE LFL	Page 152
INNER MAST (Figure 103) VISTA THREE-STAGE FFL	Page 174
INNER MAST (Figure 133) VISTA TWO-STAGE FFL	Page 230
INNER MAST (Figure 79) VISTA TWO-STAGE LFL	Page 134
INSTRUMENT PANEL (Figure 61)	Page 106
INTERMEDIATE MAST (Figure 119) GLOBAL THREE-STAGE FFL	Page 206
INTERMEDIATE MAST (Figure 102) VISTA THREE-STAGE FFL	Page 172
L	
LABELS & PAINT (Figure 2)	Page 4
LIFT CYLINDER (Figure 81) VISTA TWO-STAGE LFL	Page 138
LIFT (Figure 80) VISTA TWO-STAGE LFL	Page 136

TABLE OF CONTENTS

<u>DESCRIPTION</u>	<u>PAGE</u>
L (Continued)	
LIFT (Figure 91) GLOBAL TWO-STAGE LFL	Page 154
LIFT FREE (Figure 136) VISTA TWO-STAGE FFL	Page 236
LIFT FREE (Figure 164) VISTA FOUR-STAGE FFL	Page 284
LIGHTS (Figure 179)	Page 308
LIGHTS (Figure 180)	Page 310
LOAD BACKREST EXTENSION (Figure 129) GLOBAL THREE-STAGE FFL	Page 223
LOAD BACKREST EXTENSION (Figure 158) GLOBAL TWO-STAGE FFL	Page 274
LOAD BACKREST EXTENSION (Figure 98) GLOBAL TWO-STAGE LFL	Page 166
LOAD BACKREST EXTENSION (Figure 115) VISTA THREE-STAGE FFL	Page 199
LOAD BACKREST EXTENSION (Figure 143) VISTA TWO-STAGE FFL	Page 252
LOAD BACKREST EXTENSION (Figure 170) VISTA FOUR-STAGE FFL	Page 293
LOAD BACKREST EXTENSION (Figure 86) VISTA TWO-STAGE LFL	Page 145
M	
MAIN CYLINDER (Figure 125) GLOBAL THREE-STAGE FFL	Page 218
MAIN CYLINDER (Figure 152) GLOBAL TWO-STAGE FFL (LEFT HAND)	Page 268
MAIN CYLINDER (Figure 153) GLOBAL TWO-STAGE FFL (RIGHT HAND)	Page 269
MAIN CYLINDER (Figure 108) VISTA THREE-STAGE FFL	Page 185
MAIN CYLINDER (Figure 137) VISTA TWO-STAGE FFL	Page 238
MAIN CYLINDER (Figure 165) VISTA FOUR-STAGE FFL	Page 286

TABLE OF CONTENTS

<u>DESCRIPTION</u>	<u>PAGE</u>
M (Continued)	
MAIN LIFT (Figure 148) GLOBAL TWO-STAGE FFL	Page 260
MAIN LIFT (Figure 104) VISTA THREE-STAGE FFL	Page 176
MAIN LIFT (Figure 105) VISTA THREE-STAGE FFL	Page 178
MAIN LIFT (Figure 121) GLOBAL THREE-STAGE FFL	Page 210
MAIN LIFT (Figure 134) VISTA TWO-STAGE FFL	Page 232
MAIN LIFT (Figure 135) VISTA TWO-STAGE FFL	Page 234
MAIN LIFT (Figure 163) VISTA FOUR-STAGE FFL	Page 282
MAST (Figure 161) VISTA FOUR-STAGE FFL OUTER AND NUMBER TWO	Page 278
MAST (Figure 162) VISTA FOUR-STAGE FFL INNER AND NUMBER THREE	Page 280
MAST INSTALLATION (Figure 123) GLOBAL THREE-STAGE FFL	Page 214
MAST INSTALLATION (Figure 150) GLOBAL TWO-STAGE FFL	Page 265
MAST INSTALLATION (Figure 92) GLOBAL TWO-STAGE LFL	Page 156
MAST INSTALLATION (Figure 110) VISTA THREE-STAGE FFL	Page 188
MAST INSTALLATION (Figure 139) VISTA TWO-STAGE FFL	Page 242
MAST INSTALLATION (Figure 167) VISTA FOUR-STAGE FFL	Page 289
MAST INSTALLATION (Figure 82) VISTA TWO-STAGE LFL	Page 139
MASTER CYLINDER (Figure 27)	Page 50

TABLE OF CONTENTS

<u>DESCRIPTION</u>	<u>PAGE</u>
O	
OUTER MAST (Figure 118) GLOBAL THREE-STAGE FFL	Page 204
OUTER MAST (Figure 146) GLOBAL TWO-STAGE FFL	Page 256
OUTER MAST (Figure 89) GLOBAL TWO-STAGE LFL	Page 150
OUTER MAST (Figure 101) VISTA THREE-STAGE FFL	Page 170
OUTER MAST (Figure 132) VISTA TWO-STAGE FFL	Page 228
OUTER MAST (Figure 78) VISTA TWO-STAGE LFL	Page 132
OVERHEAD GUARD (Figure 4)	Page 8
P	
PARK BRAKE (Figure 30) LEVER ACTUATED	Page 56
PARK BRAKE (Figure 31) SEAT ACTUATED	Page 57
PARK BRAKE LINKAGE (Figure 32) SEAT ACTUATED	Page 58
PUBLICATIONS (Figure 1)	Page 1
PUMP & MOTOR MOUNTING (Figure 66)	Page 114
PUMP PANEL (Figure 45)	Page 86
S	
SEAT ATTACHING PARTS (Figure 8)	Page 12
SEAT (Figure 9)	Page 14
SIDESHIFT CARRIAGE (Figure 174)	Page 300
SIDESHIFT CARRIAGE (Figure 176) VISTA MASTS	Page 302
SIDESHIFT CARRIAGE (Figure 178) GLOBAL MASTS	Page 306
SIDESHIFT CARRIAGE VISTA MASTS	Page 303

TABLE OF CONTENTS

DESCRIPTION	PAGE
S (Continued)	
SIDESHIFT CYLINDER (Figure 175)	Page 301
SIDESHIFT CYLINDER (Figure 177)	Page 304
STEERING AXLE (Figure 24)	Page 42
STEERING COLUMN (Figure 15)	Page 28
STEERING CYLINDER (Figure 19)	Page 36
STEERING LINES (Figure 18)	Page 34
STEERING MOTOR (Figure 21)	Page 38
STEERING MOTOR (Figure 22) OPTIONAL	Page 39
STEERING PUMP (Figure 20)	Page 37
STROBE LIGHT (Figure 181) MEDIUM INTENSITY	Page 312
T	
TILT CYLINDER (Figure 72)	Page 121
TIRE & WHEEL (Figure 172) STEER WHEEL	Page 296
TIRE & WHEEL (Figure 173) DRIVE WHEEL	Page 298
TRACTION MOTOR (Figure 12) 9.25 INCH DIAMETER	Page 20
TRACTION MOTOR (Figure 13) 9.25 INCH DIAMETER	Page 22
TRACTION MOTOR (Figure 14) 11.38 INCH DIAMETER	Page 24
TRACTION PANEL (Figure 44) 36/48 VOLT STANDARD & PREMIUM	Page 84
TRANSMISSION & DIFFERENTIAL (Figure 11)	Page 18

Please Click Here To Download The Complete Manual
Download Other Manuals
If Having Any Questions Feel Free To Contact us

admin@servicemanualbit.com