

PARTS MANUAL

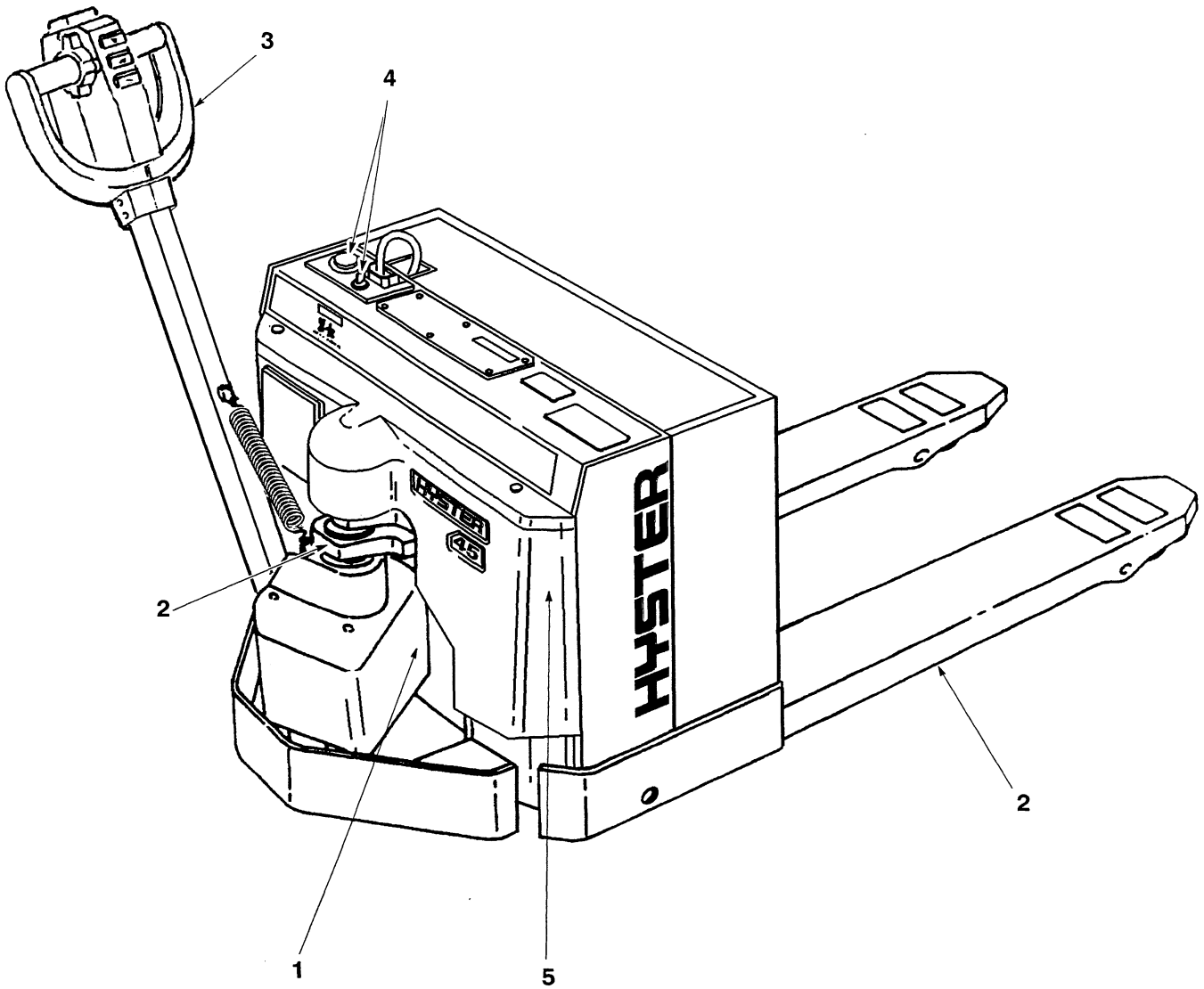
**WALKIE
W45XT**

(B215)

CUSTOMER EDITION

HYSTER

ILLUSTRATED CONTENTS



FL1099

REF.	DIVISION	PAGE
1	Drive Unit and Brake	1
2	Lift Linkage and Forks	15
3	Steer Handle	19
4	Electrical	23
5	Hydraulic	31
	Optional Equipment	43
	Numerical Index	45

TABLE OF CONTENTS

DESCRIPTION	PAGE NO.
CASTER ASSEMBLY (Figure 7)	12
CONTACTOR - 12V (Figure 14)	28
CONTACTOR - 24V (Figure 15)	29
CONTROL PANEL - 12V (Figure 12)	24
CONTROL PANEL - 24V (Figure 13)	26
DECAL AND PAINT LOCATION (Figure 3)	4
DRIVE UNIT SUPPORT (Figure 2)	3
HOODS AND COVERS (Figure 1)	2
HYDRAULIC MOTOR (Figure 21)	40
LAST USED ON S/N B215H02200W	
HYDRAULIC PUMP (Figure 22)	41
LAST USED ON S/N B215H02200W	
HYDRAULIC PUMP AND MOTOR (Figure 20)	38
FIRST USED ON S/N B215H02201W	
HYDRAULIC PUMP AND MOTOR (Figure 19)	36
LAST USED ON S/N B215H02200W	
HYDRAULIC SYSTEM (Figure 17)	33
FIRST USED ON S/N B215H02201W	
HYDRAULIC SYSTEM (Figure 16)	32
LAST USED ON S/N B215H02200W	
LIFT CYLINDER (Figure 18)	34
LIFT LINKAGE AND FORKS (Figure 8)	16
LOAD BACKREST (Figure 23)	44
LOAD WHEEL (Figure 9)	18
MASTER DRIVE UNIT AND BRAKE (Figure 4)	6
STEER HANDLE (Figure 11)	22
STEER HANDLE HEAD (Figure 10)	20
TRACTION MOTOR - 12V (Figure 5)	8
TRACTION MOTOR - 24V (Figure 6)	10

Please Click Here To Download The Complete Manual
Download Other Manuals
If Having Any Questions Feel Free To Contact us

admin@servicemanualbit.com