

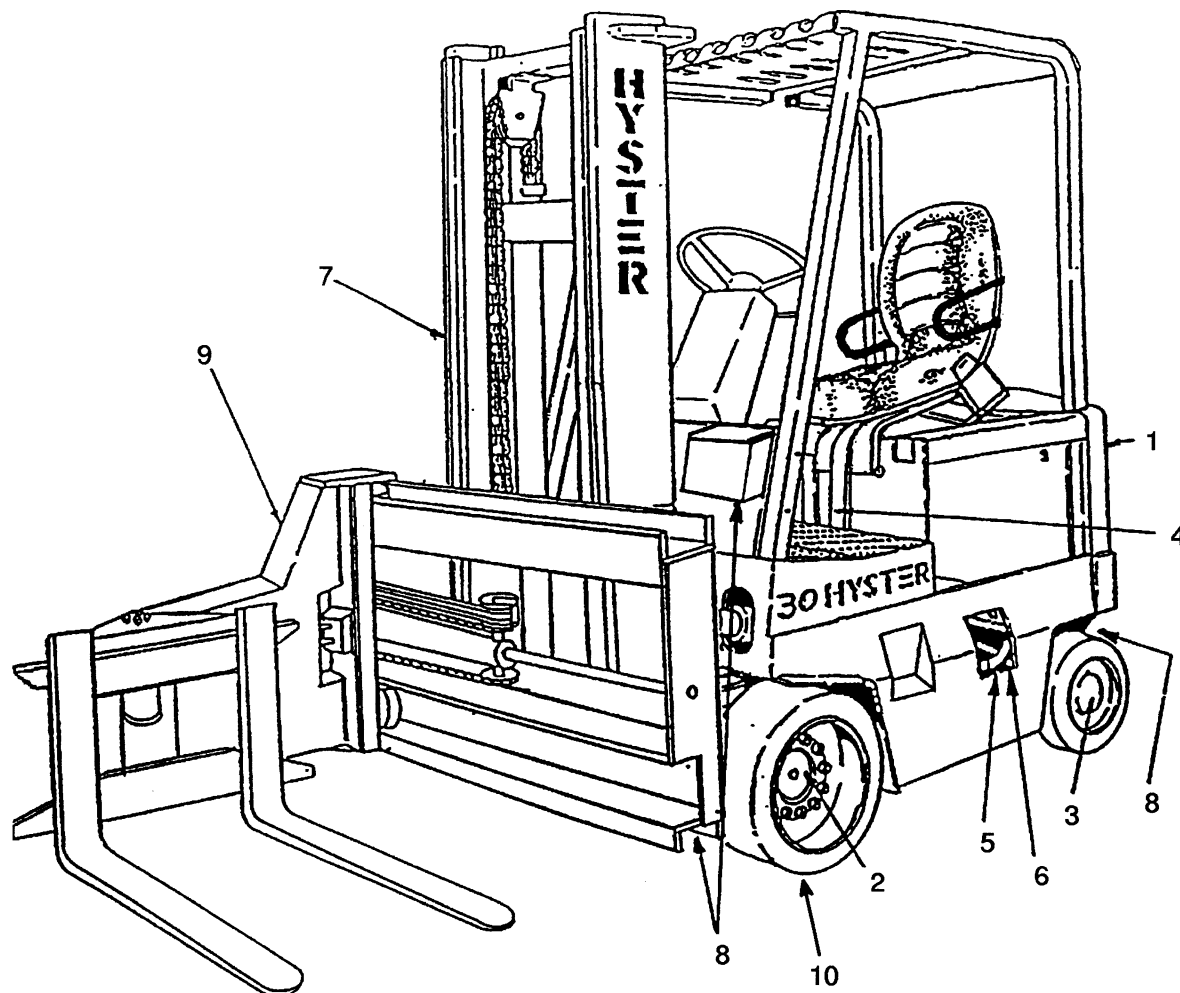
PARTS MANUAL

**ELECTRIC
N30AH
(B210)**

CUSTOMER EDITION

HYSTER

ILLUSTRATED CONTENTS



| REF | DIVISION | PAGE |
|-----|----------------------------------|----------|
| 1 | FRAME | Page 3 |
| 2 | DRIVE AXLE | Page 15 |
| 3 | STEERING | Page 25 |
| 4 | BRAKE & ACCELERATOR | Page 43 |
| 5 | ELECTRICAL SYSTEM | Page 61 |
| 6 | HYDRAULIC | Page 99 |
| 7 | MAST-THREE-STAGE FFL | Page 113 |
| 8 | WIRE GUIDANCE | Page 129 |
| 9 | ATTACHMENT-THREE-STAGE FFL | Page 145 |
| 10 | OPTIONAL | Page 165 |
| 11 | NUMERICAL INDEX | Page 175 |

TABLE OF CONTENTS

| <u>DESCRIPTION</u> | <u>PAGE</u> |
|---|-------------|
| A | |
| ACCELERATOR (Figure 31) | Page 58 |
| ACCELERATOR PEDAL (Figure 32) | Page 60 |
| ACTUATOR (Figure 87) | Page 162 |
| ATTACHMENT WITH SIDESHIFT (Figure 82) THREE-STAGE FFL | Page 152 |
| ATTACHMENT WITHOUT SIDESHIFT (Figure 81) THREE-STAGE FFL | Page 150 |
| B | |
| BACKUP ALARM (Figure 92) EV-100LX CONTROLLER | Page 171 |
| BATTERY CONNECTOR (Figure 41) | Page 80 |
| BATTERY DISCHARGE INDICATOR (Figure 53) WITH LIFT INTERRUPT & BRUSH WEAR INDICATOR FIRST USED ON S/N C108V-15516 & B210V-1501 | Page 96 |
| BATTERY DISCHARGE INDICATOR (Figure 54) FIRST USED ON S/N C108V-15516 & B210V-1501 | Page 97 |
| BATTERY DISCHARGE INDICATOR (Figure 55) LED DISPLAY FIRST USED ON S/N C108V-15516 & B210V-1501 | Page 98 |
| BRAKE (Figure 26) LAST USED ON S/N C108V-14729 | Page 50 |
| BRAKE (Figure 27) FIRST USED ON S/N C108V-14730 & B210V-1501 | Page 52 |
| BRAKE LINKAGE (Figure 23) WITH TRACTION CONTROL SWITCH | Page 44 |
| BRAKE LINKAGE (Figure 24) WITHOUT TRACTION CONTROL SWITCH | Page 46 |

TABLE OF CONTENTS

| <u>DESCRIPTION</u> | <u>PAGE</u> |
|---|-------------|
| C | |
| CARRIAGE WITH SIDESHIFT (Figure 84) THREE-STAGE FFL | Page 156 |
| CARRIAGE WITHOUT SIDESHIFT (Figure 83) THREE-STAGE FFL | Page 154 |
| CHAINS, PINS AND ANCHORS (Figure 68) THREE-STAGE FFL | Page 122 |
| CONTACTOR (Figure 51) ON-DEMAND STEERING | Page 93 |
| CONTACTOR PANEL (Figure 42) WITHOUT REGENERATIVE BRAKING USED ON S/N C108V-5667 ⇒ C108V-13185 | Page 82 |
| CONTACTOR PANEL (Figure 44) WITH REGENERATIVE BRAKING USED ON S/N C108V-5667 ⇒ C108V-13185 | Page 84 |
| CONTACTOR-1A/RB & FIELD WEAKENING (Figure 50) FIRST USED ON S/N C108V-13186 & B210V-1501 | Page 92 |
| CONTACTOR-1A/RB (Figure 46) FIRST USED ON S/N C108V-13185 & B210V-1501 | Page 86 |
| CONTROL MODULE (Figure 73) | Page 132 |
| CONTROL PANEL (Figure 35) CONTACTOR HYDRAULIC | Page 68 |
| CONTROL PANEL (Figure 38) SCR HYDRAULIC FIRST USED ON S/N C108V-5667 & B210V-1501 | Page 74 |
| CONTROL VALVE (Figure 62) FOUR FUNCTION | Page 110 |
| CONTROL VALVE LINKAGE (Figure 61) | Page 108 |
| COUNTERWEIGHT (Figure 2) | Page 4 |
| D | |
| DRIVE AXLE (Figure 9) | Page 16 |

TABLE OF CONTENTS

| <u>DESCRIPTION</u> | <u>PAGE</u> |
|---|-------------|
| E | |
| ELECTRIC BRAKE (Figure 78) | Page 142 |
| ELECTRICAL SYSTEM (Figure 33) CONTACTOR HYDRAULIC LAST USED ON S/N C108V-17611 | Page 64 |
| ELECTRICAL SYSTEM (Figure 34) CONTACTOR HYDRAULIC FIRST USED ON S/N C108V-17612 & B210V-1501 | Page 66 |
| ELECTRICAL SYSTEM (Figure 36) SCR HYDRAULIC LAST USED ON S/N C108V-17611 | Page 70 |
| ELECTRICAL SYSTEM (Figure 37) SCR HYDRAULIC FIRST USED ON S/N C108V-17612 & B210V-1501 | Page 72 |
| EV100LX CONTACTOR PANEL (Figure 43) WITHOUT REGENERATIVE BRAKING FIRST USED ON S/N C108V-13186 & B210V-1501 | Page 83 |
| EV-100LX CONTACTOR PANEL (Figure 49) WITH REGENERATIVE BRAKING FIRST USED ON S/N C108V-13186 & B210V-1501 | Page 90 |
| F | |
| FIELD WEAKENING CONTACTOR (Figure 48) | Page 88 |
| FLOORPLATES & COVERS (Figure 6) | Page 9 |
| FORKS-HOOK (Figure 93) | Page 172 |
| FORKS-PIN (Figure 94) | Page 173 |
| FORWARD/REVERSE CONTACTOR (Figure 45) FIRST USED ON S/N C108V-5667 & B210V-1501 | Page 85 |
| FREE-LIFT CYLINDER (Figure 70) THREE-STAGE FFL | Page 126 |
| G | |
| GUIDANCE HYDRAULICS (Figure 74) | Page 134 |

TABLE OF CONTENTS

| <u>DESCRIPTION</u> | <u>PAGE</u> |
|--|-------------|
| H | |
| HAND PUMP (Figure 14) IDENTIFY BY PART NUMBER | Page 28 |
| HAND PUMP (Figure 15) IDENTIFY BY PART NUMBER OPTIONAL | Page 30 |
| HEADER HOSE WITH SIDESHIFT (Figure 80) THREE-STAGE FFL | Page 148 |
| HEADER HOSE WITHOUT SIDESHIFT (Figure 79) THREE-STAGE FFL | Page 146 |
| HOOD (Figure 4) | Page 6 |
| HYDRAULIC (Figure 56) | Page 100 |
| HYDRAULIC MOTOR (Figure 59) IDENTIFY BY PART NUMBER | Page 105 |
| HYDRAULIC MOTOR (Figure 60) IDENTIFY BY PART NUMBER | Page 106 |
| HYDRAULIC PUMP (Figure 58) | Page 104 |
| HYDRAULIC TANK (Figure 63) | Page 112 |
| I | |
| INNER LIFT (Figure 67) THREE-STAGE FFL | Page 120 |
| INSTRUMENT PANEL (Figure 52) LAST USED ON S/N C108V-15515 | Page 94 |
| L | |
| LABELS & PAINT (Figure 5) | Page 7 |
| LIGHTS (Figure 90) FIRST USED ON S/N C108V-3410 | Page 168 |

TABLE OF CONTENTS

| <u>DESCRIPTION</u> | <u>PAGE</u> |
|--|-------------|
| M | |
| MAIN AND FREE-LIFT INSTALLATION (Figure 65) THREE-STAGE FFL | Page 116 |
| MAIN CYLINDER (Figure 69) THREE-STAGE FFL | Page 124 |
| MASTER CYLINDER (Figure 25) | Page 48 |
| O | |
| OUTER AND INTERMEDIATE LIFT (Figure 66) THREE-STAGE FFL | Page 118 |
| OUTER, INTERMEDIATE & INNER MAST (Figure 64) THREE-STAGE FFL | Page 114 |
| OVERHEAD GUARD (Figure 3) | Page 5 |
| P | |
| PARK BRAKE (Figure 28) LEVER ACTUATED | Page 54 |
| PARK BRAKE (Figure 29) SEAT ACTUATED | Page 55 |
| PARK BRAKE LINKAGE (Figure 30) SEAT ACTUATED | Page 56 |
| PUBLICATIONS (Figure 1) | Page 1 |
| PUMP & MOTOR MOUNTING (Figure 57) | Page 102 |
| PUMP CONTACTOR (Figure 47) CONTACTOR HYDRAULIC FIRST USED ON S/N C108V-5667 & B210V-1501 | Page 87 |
| PUMP PANEL (Figure 40) | Page 78 |

TABLE OF CONTENTS

| <u>DESCRIPTION</u> | <u>PAGE</u> |
|---|-------------|
| S | |
| SEAT ATTACHING PARTS (Figure 7) | Page 11 |
| SEAT (Figure 8) | Page 13 |
| SIDESHIFT CYLINDER (Figure 85) THREE-STAGE FFL | Page 158 |
| STEERING AXLE (Figure 22) | Page 40 |
| STEERING AXLE GUIDANCE (Figure 77) | Page 140 |
| STEERING COLUMN (Figure 13) | Page 26 |
| STEERING CYLINDER (Figure 17) | Page 34 |
| STEERING LINES (Figure 16) | Page 32 |
| STEERING MOTOR & PUMP (Figure 75) | Page 136 |
| STEERING MOTOR (Figure 19) | Page 36 |
| STEERING MOTOR (Figure 20) OPTIONAL LAST USED ON S/N C108V-13131 (ALSO 13074, 13125-6, 13128) ... | Page 37 |
| STEERING MOTOR (Figure 21) OPTIONAL FIRST USED ON S/N C108V-13132 & B210V-1501 | Page 38 |
| STEERING MOTOR (Figure 76) | Page 138 |
| STEERING PUMP (Figure 18) | Page 35 |
| STROBE LIGHT (Figure 91) MEDIUM INTENSITY | Page 170 |

TABLE OF CONTENTS

| <u>DESCRIPTION</u> | <u>PAGE</u> |
|---|-------------|
| T | |
| TILT ROD (Figure 71) THREE-STAGE FFL | Page 128 |
| TIRE & WHEEL (Figure 88) DRIVE WHEEL | Page 166 |
| TIRE & WHEEL (Figure 89) STEER WHEEL | Page 167 |
| TRACTION MOTOR (Figure 11) STANDARD (9.25 INCH DIAMETER) | Page 20 |
| TRACTION MOTOR (Figure 12) PREMIUM (11.38 INCH DIAMETER) | Page 22 |
| TRACTION PANEL (Figure 39) CONTACTOR & SCR HYDRAULIC: FIRST USED ON S/N C108V-5667 & B210V-1501 | Page 76 |
| TRANSMISSION & DIFFERENTIAL (Figure 10) | Page 18 |
| TRAVERSE CYLINDER (Figure 86) | Page 160 |
| W | |
| WIRE GUIDANCE (Figure 72) | Page 130 |

HOW TO USE ILLUSTRATED PARTS MANUAL

This parts manual describes and illustrates assemblies, subassemblies, and detail parts needed for service replacement.

The different constructions are indicated by keys, symbols and footnotes.

HYSTER
SERIAL CODE E7

3 → **TABLE OF CONTENTS** → **4** → **PAGE**

| DESCRIPTION | PAGE |
|-------------------------------------|---------|
| Cylinder Block Turbo | Page 48 |
| Cylinder Block | |
| Cylinder Head Turbo | |
| Cylinder Head | |
| Differential First Used on E7E-1535 | |

5

HYSTER
Page 1
SERIAL CODE E7

NUMERICAL INDEX

| PART NO | FIGURE NO | REF NO | PART NO | FIGURE NO | REF NO | PART NO | FIGURE NO | REF NO | PART NO | FIGURE NO | REF NO |
|---------|-----------|--------|---------|-----------|--------|---------|-----------|--------|---------|-----------|--------|
| | 8 | 31 | 1360968 | 87 | | 1369121 | 96 | 1 | 1374582 | 87 | 38 |
| | 7 | 31 | 1361200 | 19 | 6 | 1369122 | 96 | 11 | 1374583 | 87 | 39 |
| | | | | | | | 26 | | 1374584 | 87 | 39 |
| | | | | | | | 27 | | 1374598 | 87 | 39 |
| | | | | | | | 34 | | 1374599 | 87 | 39 |
| | | | | | | | 35 | | 1374750 | 10 | 20 |
| | | | | | | | 39 | | 1374750 | 11 | 24 |
| | | | | | | | 41 | | 1374980 | 34 | 25 |
| | | | | | | | 47 | | | 35 | 25 |

HYSTER
Page 211
SERIAL CODE D177-EUR

1 → **ILLUSTRATED CONTENTS**

2 → **SECTION**

| REF | SECTION |
|-----|-----------------|
| 1 | FRAME |
| 2 | ENGINE |
| 3 | FUEL |
| 4 | ELECTRICAL |
| 5 | BRAKE |
| 6 | TRANSMISSION |
| 7 | DRIVE AXLE |
| 8 | STEERING |
| 9 | HYDRAULIC |
| 10 | TWO-STAGE FFL |
| 11 | OPTIONAL |
| ... | NUMERICAL INDEX |

9 → **CARRIAGE TWO-STAGE LFL SIX ROLLER**
LAST USED ON S/N PENDING PER ECN 98765
(Figure 163)

6 → **KEY**

A: H2.00-2.75XM
B: HS.00-3.20XM

| REF | PART NO. | NAME OF PART | QTY |
|-----|----------|----------------------------|--------------|
| | 1343846 | Carriage Assy | 1 |
| | 1343847 | Carriage Assy | 1 |
| 1 | 1338616 | Frame | 1 |
| 1 | 1338618 | Frame | 1 |
| 1 | 1345216 | Stubshaft | 6 |
| 2 | 1345218 | Load Roller ("A" Standard) | 6 |
| 2 | 1345219 | Load Roller ("B" 0,76 mm) | 6 |
| 2 | 1345220 | Load Roller ("C" 1,52 mm) | 6 |
| 3 | 1289 | Circlip | 6 |
| 4 | 1345253 | Shim | ARAR |
| | 5 | 366116 | Spacer |
| | 6 | 1369345 | Chain Anchor |
| | 6 | 1369344 | Chain Anchor |
| | 7 | 1345352 | Pin |
| | 8 | 131358 | Circlip |
| | 9 | 323161 | Pin |
| | 10 | 15200 | Split Pin |

7 → **Table**

8 → **Table**

©1995 HYSTER COMPANY See Service Manual for service procedures

©1995 HYSTER COMPANY See Service Manual for service procedures 18/12/95

Please Click Here To Download The Complete Manual
Download Other Manuals
If Having Any Questions Feel Free To Contact us

admin@servicemanualbit.com