

PARTS MANUAL

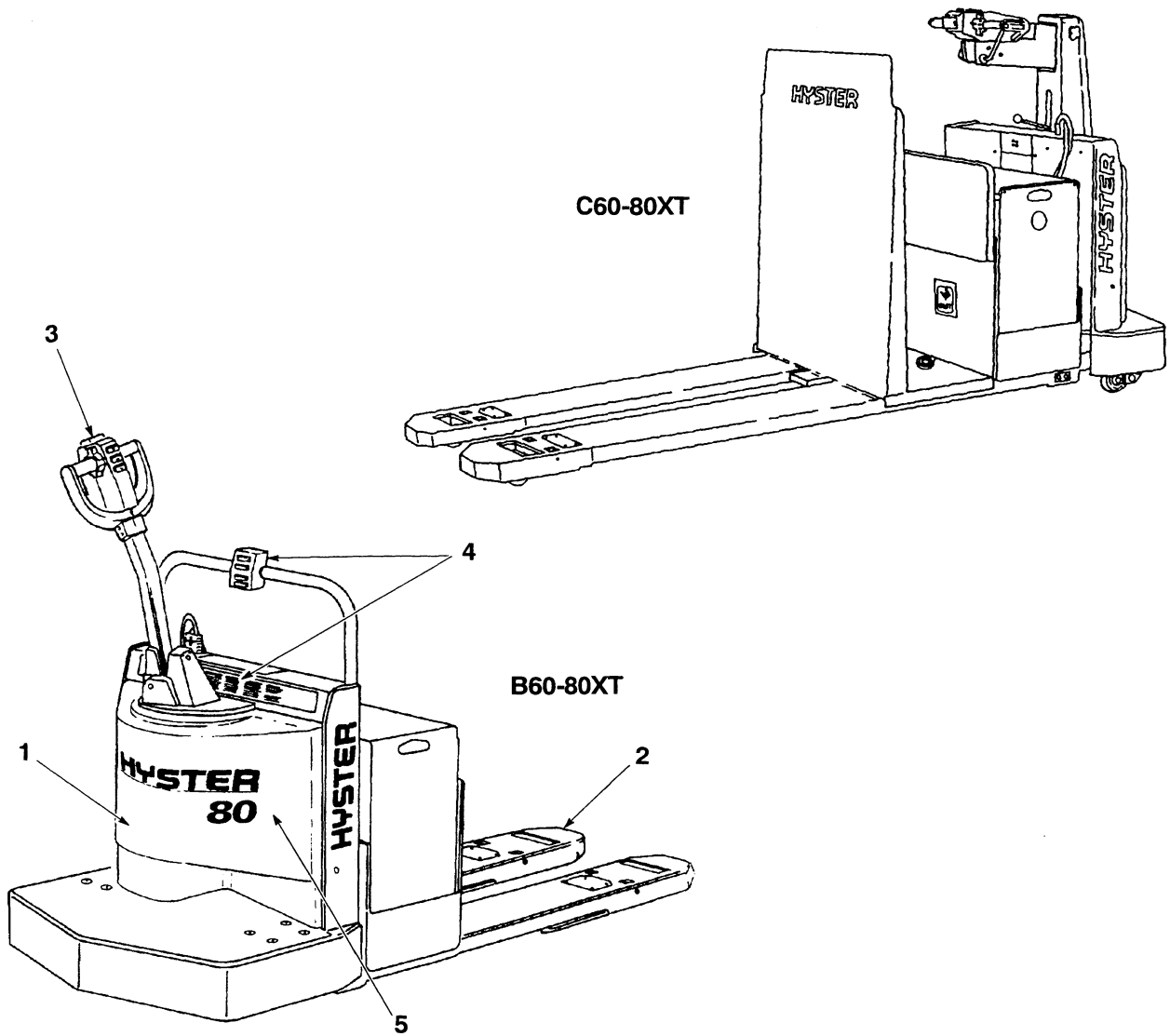
**WALKIE/RIDER
B/C60, 80XT**

(B199)

CUSTOMER EDITION

HYSTER

ILLUSTRATED CONTENTS



REF.	DIVISION	PAGE
1	Frame/Drive Unit	1
2	Lift Linkage/Forks	19
3	Steer Handle/Brake	27
4	Electrical	45
5	Hydraulic	79
	Numerical Index	86

TABLE OF CONTENTS

DESCRIPTION	PAGE NO.
BATTERY RETENTION (Figure 4)	7
BATTERY ROLLER ARRANGEMENT (Figure 5)	8
BRAKE BUFFER/COAST CONTROL (Figure 26)	
B60, 80XT	41
BRAKE LINKAGE (Figure 18)	
B60, 80XT	28
BRAKE LINKAGE (Figure 19)	
C60, 80XT	30
BRAKE SHOE LINKAGE (Figure 20)	
B60, 80XT	32
BRAKE SHOE LINKAGE (Figure 21)	
C60, 80XT	33
CASTER-ARTICULATING (Figure 9)	14
CASTER-SPRING LOADED (Figure 8)	12
COAST CONTROL (Figure 25)	
B60, 80XT	40
CONTACTOR-FORWARD/REVERSE (Figure 37)	
FIRST USED ON S/N B199H04451U	63
CONTACTOR-FORWARD/REVERSE (Figure 36)	
LAST USED ON S/N B199H04450U	62
CONTACTOR-FORWARD/REVERSE "EE" (Figure 46)	
FIRST USED ON S/N B199H04451U	75
CONTACTOR-FORWARD/REVERSE "EE" (Figure 44)	
FROM S/N B199H03413S TO S/N B199H03638T	73
CONTACTOR-FORWARD/REVERSE "EE" (Figure 45)	
FROM S/N B199H03638T TO S/N B199H04450U	74
CONTACTOR-FORWARD/REVERSE "EE" (Figure 43)	
LAST USED ON S/N B199H03412S	72
CONTROL HEAD-HANDLE (Figure 22)	34
CONTROL HEAD-SWITCHES (Figure 24)	
FIRST USED ON B199H03598T	38

TABLE OF CONTENTS

DESCRIPTION	PAGE NO.
CONTROL HEAD-SWITCHES (Figure 23) LAST USED ON B199H03597T	36
CONTROL PANEL (Figure 35) FIRST USED ON S/N B199H04451U	60
CONTROL PANEL (Figure 33) FROM S/N B199H-2701 TO S/N B199H-2836	56
CONTROL PANEL (Figure 34) FROM S/N B199H-2837 TO S/N B199H04450U	58
CONTROL PANEL (Figure 32) LAST USED ON S/N B199H-2700	54
CONTROL PANEL "EE" (Figure 42) FIRST USED ON S/N B199H04451U	70
CONTROL PANEL "EE" (Figure 40) FROM S/N B199H-2837 TO S/N B199H03638T	67
CONTROL PANEL "EE" (Figure 41) FROM S/N B199H03639T TO S/N B199H04450U	68
CONVENIENCE TRAY (Figure 48)	77
DECAL AND PLATE LOCATION (B-XT) (Figure 2)	4
DECAL AND PLATE LOCATION (C-XT) (Figure 1)	2
DRIVE UNIT (Figure 7)	10
ELECTRICAL ARRANGEMENT (Figure 31) FIRST USED ON S/N B199H04451U	52
ELECTRICAL ARRANGEMENT (Figure 29) FROM S/N B199H-2701 TO S/N B199H-2836	48
ELECTRICAL ARRANGEMENT (Figure 30) FROM S/N B199H-2837 TO S/N B199H04450U	50
ELECTRICAL ARRANGEMENT (Figure 28) LAST USED ON S/N B199H-2700	46
HOODS AND COVERS (Figure 3)	6
HOURMETER/BATTERY-GAUGE (Figure 47)	76

TABLE OF CONTENTS

DESCRIPTION	PAGE NO.
HYDRAULIC MOTOR (Figure 54) LAST USED ON S/N B199H05705N	88
HYDRAULIC PUMP AND MOTOR (Figure 53) FIRST USED ON B199H005706N	86
HYDRAULIC PUMP AND MOTOR (Figure 52) LAST USED ON B199H005705N	84
HYDRAULIC SYSTEM (Figure 49)	80
LIFT CYLINDER (Figure 51) FIRST USED ON S/N PENDING PER ECN 83175	82
LIFT CYLINDER (Figure 50) LAST USED ON S/N PENDING PER ECN 83175	81
LIFT LINKAGE (Figure 13)	20
LOAD BACKREST (Figure 17)	26
LOAD WHEEL (Figure 15) DUAL	24
LOAD WHEEL (Figure 16) SINGLE	25
LOAD WHEEL (Figure 14) TANDEM	23
SLIDE GLIDE HANDLE ARRANGEMENT (Figure 27) B60, 80XT	43
STATIC STRAP (Figure 6)	9
STEADYREST (Figure 38)	64
STEADYREST (Figure 39)	66
TRACTION MOTOR (Figure 12) FIRST USED ON S/N PENDING PER ECN 85044-43	18
TRACTION MOTOR (Figure 11) FROM B199H03531T TO S/N (PENDING PER ECN 85044-43)	17
TRACTION MOTOR (Figure 10) LAST USED ON B199H03530T	16

HOW TO USE THE ILLUSTRATED PARTS MANUAL

This Parts manual describes and illustrates assemblies, subassemblies and detail parts needed for service replacement.

The different constructions are indicated by keys, symbols and footnotes.

HYSTER
Page 11
SERIAL CODE B199
TABLE OF CONTENTS

DESCRIPTION PAGE NO.
BATTERY RETENTION (Figure 3)
BRA (E)
BRA (C)
DISH

HYSTER
Page 71
SERIAL CODE B199
INDEX NUMERICAL

PART NO.	PAGE NO.	REF.	PART NO.	PAGE NO.	REF.	PART NO.	PAGE NO.	REF.	PART NO.	PAGE NO.	REF.
3167	3		25	23		16165	59	4	16041	26	15
1416	8	25	28	14				6	16046	16	3
1416	26	21	39	23				11	31	10469	10
12985	27	9	41	2				12	32		11
12979	63	9	41	14				25	18	16278	47
12967	16	17	43	28				28	10		7
	17	12	43	3				39	18	16401	49
15005	17	12	43	14				41	28	16402	50
15006	25	39	43	28				43	28		63
15011	25	15	43	28				47	10		25
15025	24	4	45	10				49	9		4
15032	29	16	45	10				49	9		4
15034	29	16	45	10				49	9		4
16049	15	27	45	10				49	9		4
	17	27	45	10				49	9		4
	47	60	45	10				49	9		4
	49	24	45	10				49	9		4
15052	32	28	49	10				49	9		4

HYSTER
Page 1
SERIAL CODE B199
ILLUSTRATED CONTENTS

REF. DIVISION PAGE
1 Frame/Drive Unit 1
2 Lift Linkage/Forks 13
3 Steer Handle/Brake 23
4 Electrical 37
5 Hydraulics 51
6 Numerical Index 57

KEY
A: 12 volt system
B: 24 volt system

REF.	PART NO.	NAME OF PART	QTY.	REF.
1	N	Load Backrest	1	4
2	N	Load Backrest	1	4
3	2302466	LACEBAR	1	4

© 1997 HYSTER COMPANY

See Service Manual for service procedures

3/1/97

WHEN THE PART NUMBER AND THE NEXT HIGHER ASSEMBLY IS NOT KNOWN:

1. USE: Determine the function and application of the part required. Turn to the Illustrated Contents page immediately behind the front cover, and select the most appropriate area.
2. Use the Section Index to determine the assembly which would normally contain the part required. Then locate the part on the assembly breakdown page.

WHEN THE PART NUMBER IS NOT KNOWN AND THE NEXT HIGHER ASSEMBLY IS KNOWN:

3. Determine the assembly the required part is used on. Turn to the Table of Contents page immediately following the Illustrated Contents.
4. Locate the assembly the required part is used on and turn to the page indicated for that assembly. Proceed then to locate the part on the assembly breakdown page.

WHEN THE PART NUMBER IS KNOWN:

5. Use the Numerical Index to find the part number. Turn to the Figure listed and locate the part as indicated by the reference number.

GENERAL:

The Assembly Breakdowns include part numbers, description, quantities required, keys and footnotes to help in selecting the correct parts.

6. Keys are used to show effective serial numbers for two or more similar assemblies, RH and LH assembly parts, etc. Select the appropriate key, "A", "B", "C", or "D" and the corresponding quantity column to find the required parts.
7. Indented descriptions under "Name of Part" are used to indicate subparts of assemblies. A major assembly is not indented. Parts under the first, second, or third indent are sub-parts of the major assembly shown above them.
8. Quantities shown are for one assembly. Note that two assemblies are shown, but the quantities of the subparts are indicated as three and three. This means three per assembly.
9. Engineering Change Notice (ECN) numbers for pending serial numbers are shown to allow for the inclusion of the most current parts information. Contact your local Dealer for Hyster Lift Trucks for serial number information listed by ECN number.

ORDERING PARTS:

When ordering replacement parts, give the unit serial number, part number, name of part and quantity required.

For any further information on parts, service, or ordering, consult your local Dealer for Hyster Lift Trucks.

Please Click Here To Download The Complete Manual
Download Other Manuals
If Having Any Questions Feel Free To Contact us

admin@servicemanualbit.com