

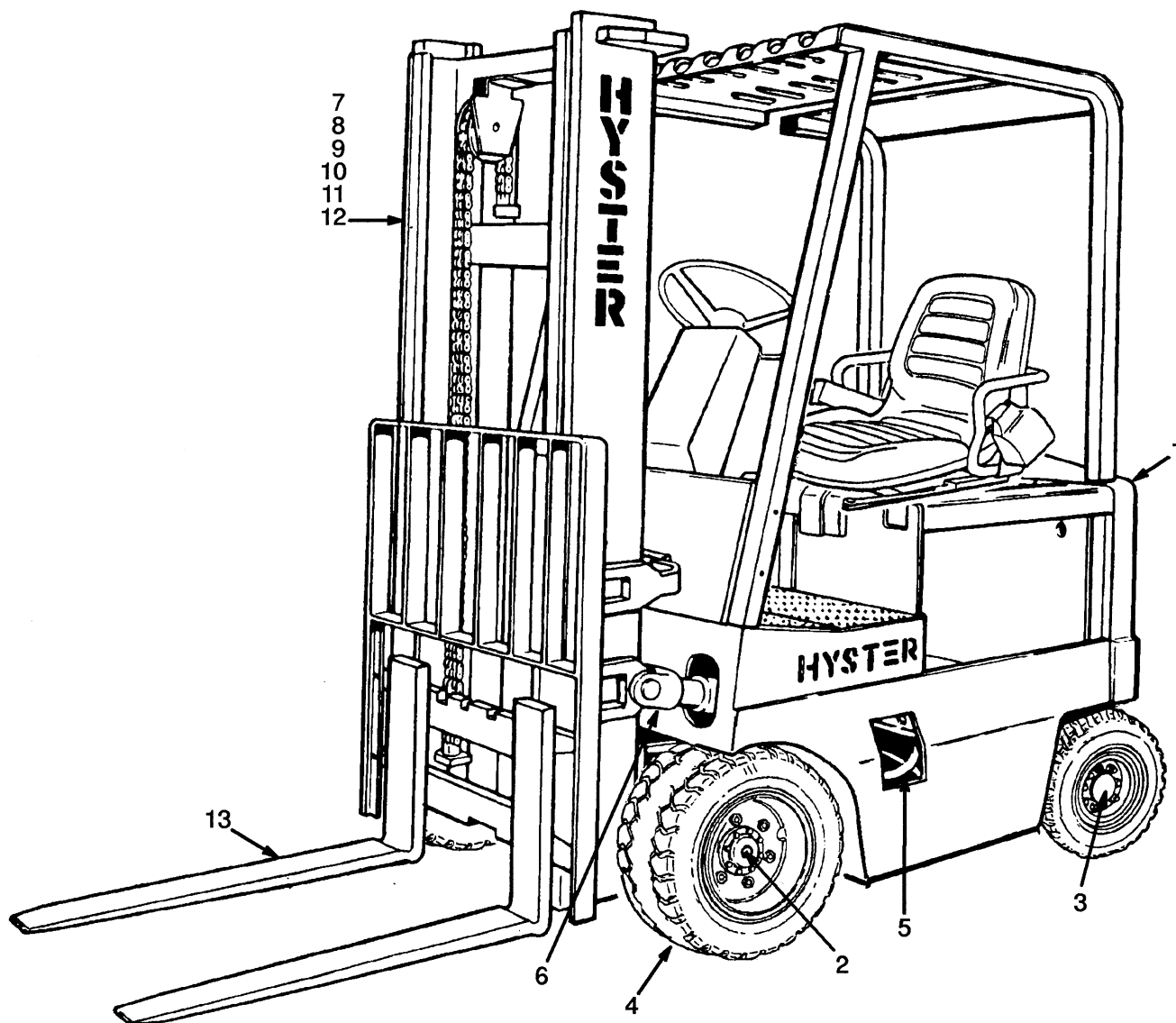
PARTS MANUAL

**ELECTRIC
J40-50-60XL
J2.00-2.50-3.00XL
(B168)**

CUSTOMER EDITION

HYSTER

ILLUSTRATED CONTENTS



REF	SECTION	PAGE
1	Frame	Page 3
2	Drive Axle	Page 15
3	Steering	Page 23
4	Brake/Accelerator	Page 41
5	Electrical	Page 57
6	Hydraulic	Page 125
7	Mast-Vista Two-Stage LFL A507	Page 147
8	Mast-Global Two-Stage LFL C507, C562	Page 161
9	Mast-Vista Three-Stage FFL A508	Page 181
10	Mast-Global Three-Stage FFL C508, C563	Page 207
11	Mast-Vista Two-Stage FFL A509	Page 235
12	Mast-Global Two-Stage FFL C509, C564	Page 255
13	Optional	Page 279
	Numerical Index	Page 303

TABLE OF CONTENTS

<u>DESCRIPTION</u>	<u>PAGE</u>
A	
ACCELERATOR (Figure 32)	Page 54
ACCELERATOR PEDAL (Figure 33)	Page 56
B	
BACKUP ALARM (Figure 174) EV-100LX CONTROLLER	Page 300
BATTERY CONNECTOR (Figure 50) 36/48 VOLT	Page 88
BATTERY CONNECTOR (Figure 51) 72/80 VOLT	Page 90
BATTERY GAUGE (Figure 70) WITH LIFT INTERRUPT & BRUSH WEAR INDICATOR FIRST USED ON S/N B168A-2529 B168V-1999	Page 122
BATTERY GAUGE (Figure 71) FIRST USED ON S/N B168A-2529 B168V-1999	Page 123
BATTERY GAUGE (Figure 72) LED DISPLAY FIRST USED ON S/N B168A-2529 B168V-1999	Page 124
BRAKE (Figure 27) LAST USED ON S/N B168A-2556 B168V-1977	Page 46
BRAKE (Figure 28) FIRST USED ON S/N B168A-2557 B168V-1978	Page 48
BRAKE LINKAGE (Figure 25) WITH TRACTION CONTROL SWITCH	Page 42
C	
CARRIAGE (Figure 102) GLOBAL TWO-STAGE LFL FOUR ROLLER	Page 176
CARRIAGE (Figure 103) GLOBAL TWO-STAGE LFL SIX ROLLER	Page 177
CARRIAGE (Figure 114) 369000 SERIES CARRIAGE	Page 198
CARRIAGE (Figure 115) 1311000 SERIES CARRIAGE	Page 199
CARRIAGE (Figure 130) SIX ROLLER GLOBAL THREE-STAGE FFL LAST USED ON MAST S/N C563A-1588 & C508A-2009	Page 230

TABLE OF CONTENTS

<u>DESCRIPTION</u>	<u>PAGE</u>
C (Continued)	
CARRIAGE (Figure 131) SIX ROLLER GLOBAL THREE-STAGE FFL FIRST USED ON MAST S/N C563A-1589 & C508A-2010	Page 231
CARRIAGE (Figure 141) VISTA TWO-STAGE FFL	Page 248
CARRIAGE (Figure 155) GLOBAL TWO-STAGE FFL FOUR ROLLER	Page 274
CARRIAGE (Figure 156) GLOBAL TWO-STAGE FFL SIX ROLLER	Page 275
CARRIAGE (Figure 166) SIDE-SHIFT	Page 286
CARRIAGE (Figure 92) VISTA TWO-STAGE LFL	Page 156
CONTACTOR (Figure 67) ON-DEMAND STEERING	Page 116
CONTACTOR PANEL (Figure 54) FIRST USED ON S/N B168A-1782 B168V-1702 WITH REGENERATIVE BRAKING	Page 94
CONTACTOR-1A/PUMP (Figure 58) LAST USED ON S/N B168V-1701 36/48 VOLT	Page 100
CONTACTOR-1A/RB (Figure 59) LAST USED ON S/N B168V-1701 PREMIUM 36/48 VOLT	Page 101
CONTACTOR-1A/RB (Figure 61) FIRST USED ON S/N B168A-1782 B168V-1702 THRU B168-A2528 B168V-1946	Page 104
CONTACTOR-1A/RB/FW (Figure 66) FIRST USED ON S/N B168A-2529 B168V-1947	Page 114
CONTACTOR-FIELD WEAKENING (Figure 63) LAST USED ON S/N B168V-1701 PREMIUM 36/48 VOLT	Page 108
CONTACTOR-FIELD WEAKENING (Figure 64) FIRST USED ON S/N B168A-1782 B168V-1702	Page 110
CONTACTOR-FORWARD/REVERSE (Figure 55) LAST USED ON S/N B168V-1701 36/48 VOLT	Page 96
CONTACTOR-FORWARD/REVERSE (Figure 56) LAST USED ON S/N B168A-1781 72/80 VOLT	Page 97

TABLE OF CONTENTS

<u>DESCRIPTION</u>	<u>PAGE</u>
C (Continued)	
CONTACTOR-FORWARD/REVERSE (Figure 57)	Page 98
CONTACTOR-PUMP (Figure 62) FIRST USED ON S/N B168A-1782 B168V-1702 CONTACTOR HYDRAULIC	Page 106
CONTACTOR-PUMP/RB (Figure 60) LAST USED ON S/N B168A-1781 72/80 VOLT	Page 102
CONTROL PANEL (CONTACTOR HYDRAULIC) (Figure 42) FIRST USED ON S/N B168A-1782 B168V-1702	Page 74
CONTROL PANEL (PREMIUM) (36/48V) (Figure 36) LAST USED ON S/N B168V-1701	Page 64
CONTROL PANEL (PREMIUM) (72/80V) (Figure 39) LAST USED ON S/N B168A-1781	Page 69
CONTROL PANEL (SCR HYDRAULICS) (Figure 45) FIRST USED ON S/N B168A-1782 B168V-1702	Page 80
CONTROL PANEL (STANDARD) (36/48V) (Figure 35) LAST USED ON S/N B168V-1701	Page 62
CONTROL PANEL (STANDARD) (72/80V) (Figure 38) LAST USED ON S/N B168A-1781	Page 68
CONTROL VALVE (Figure 84) TWO FUNCTION	Page 140
CONTROL VALVE (Figure 85) THREE FUNCTION	Page 142
CONTROL VALVE (Figure 86) FOUR FUNCTION	Page 144
CONTROL VALVE LINKAGE (Figure 83)	Page 138
COUNTERWEIGHT (Figure 5)	Page 9
CYLINDER (Figure 100) GLOBAL TWO-STAGE LFL J40-50XL	Page 172
CYLINDER (Figure 101) GLOBAL TWO-STAGE LFL J60XL	Page 174
CYLINDER (Figure 167) SIDE-SHIFT	Page 287
D	
DRIVE AXLE (Figure 10)	Page 16

TABLE OF CONTENTS

<u>DESCRIPTION</u>	<u>PAGE</u>
E	
ELECTRICAL (36/48V) (Figure 34) LAST USED ON S/N B168V-1701	Page 60
ELECTRICAL (72/80V) (Figure 37) LAST USED ON S/N B168A-1781	Page 66
ELECTRICAL (CONTACTOR HYDRAULIC) (Figure 40) USED ON S/N B168A-1782 B168V-1702 THRU B168A-2889 B168V-2049	Page 70
ELECTRICAL (SCR HYDRAULICS) (Figure 43) USED ON S/N B168A-1782 B168V-1702 THRU B168A-2889 B168V-2049	Page 76
ELECTRICAL SYSTEM (Figure 41) CONTACTOR HYDRAULIC FIRST USED ON S/N B168A-2890 B168V-2050	Page 72
ELECTRICAL SYSTEM (Figure 44) SCR HYDRAULIC FIRST USED ON S/N B168A-2890 B168V-2050	Page 78
EV-100LX CONTACTOR PANEL (Figure 65) FIRST USED ON S/N B168A-2529 B168V-1947 WITH REGENERATIVE BRAKING	Page 112
F	
FLOORPLATES & COVERS (Figure 3)	Page 6
FORKS (Figure 160) J40-50XL (J2.00-2.50XL) IDENTIFY BY PART NUMBER	Page 280
FORKS (Figure 161) J40-50XL (J2.00-2.50XL) IDENTIFY BY PART NUMBER	Page 281
FORKS (Figure 162) J60XL (J3.00XL) IDENTIFY BY PART NUMBER	Page 282
FORKS (Figure 163) J60XL (J3.00XL) IDENTIFY BY PART NUMBER	Page 283
FORKS (Figure 105) GLOBAL TWO-STAGE LFL J40-50XL	Page 179
FORKS (Figure 106) GLOBAL TWO-STAGE LFL J60XL	Page 180
FORKS (Figure 133) J40-50XL GLOBAL THREE-STAGE FFL	Page 233

TABLE OF CONTENTS

<u>DESCRIPTION</u>	<u>PAGE</u>
F (Continued)	
FORKS (Figure 134) J60XL GLOBAL THREE-STAGE FFL	Page 234
FORKS (Figure 158) GLOBAL TWO-STAGE FFL J40-50XL	Page 277
FORKS (Figure 159) GLOBAL TWO-STAGE FFL J60XL	Page 278
FREE LIFT (Figure 123) GLOBAL THREE-STAGE FFL J40-50XL	Page 218
FREE LIFT (Figure 124) GLOBAL THREE-STAGE FFL J60XL	Page 220
FREE-LIFT (Figure 111) VISTA THREE-STAGE FFL	Page 190
FREE-LIFT (Figure 138) VISTA TWO-STAGE FFL	Page 242
FREE-LIFT (Figure 148) GLOBAL TWO-STAGE FFL	Page 262
FREE-LIFT CYLINDER (Figure 113) VISTA THREE-STAGE FFL	Page 196
FREE-LIFT CYLINDER (Figure 128) J40-50XL GLOBAL THREE-STAGE FFL	Page 228
FREE-LIFT CYLINDER (Figure 129) J60XL GLOBAL THREE-STAGE FFL	Page 229
FREE-LIFT CYLINDER (Figure 140) VISTA TWO-STAGE FFL	Page 246
FREE-LIFT CYLINDER (Figure 153) GLOBAL TWO-STAGE FFL J40-50XL	Page 272
FREE-LIFT CYLINDER (Figure 154) GLOBAL TWO-STAGE FFL J60XL	Page 273
H (Continued)	
HAND PUMP (Figure 16) IDENTIFY BY PART NUMBER	Page 26
HAND PUMP (OPTIONAL) (Figure 17) IDENTIFY BY PART NUMBER	Page 27

TABLE OF CONTENTS

<u>DESCRIPTION</u>	<u>PAGE</u>
H (Continued)	
HEADER HOSE (Figure 126) GLOBAL THREE-STAGE FFL	Page 224
HEADER HOSE (Figure 150) GLOBAL TWO-STAGE FFL	Page 266
HEADER HOSE (Figure 99) GLOBAL TWO-STAGE LFL	Page 170
HEADER HOSES (Figure 117) VISTA 3-STG FFL MAST 367000 386000 SERIES MAST	Page 202
HEADER HOSES (Figure 118) VISTA 3-STG FFL MAST 1311000 SERIES MAST	Page 204
HEADER HOSES (Figure 143) VISTA 2-STG FFL MAST 367000 SERIES MAST	Page 250
HEADER HOSES (Figure 144) VISTA 2-STG FFL MAST 1311000 SERIES MAST	Page 252
HEADER HOSES (Figure 94) VISTA 2-STG LFL MAST 371000 SERIES	Page 158
HOOD (Figure 6) TRUCK MOUNTED	Page 10
HOOD (Figure 7) LIFT-OFF	Page 11
HYDRAULIC (Figure 73)	Page 126
HYDRAULIC MOTOR (Figure 76) 36/48 VOLT STANDARD IDENTIFY BY PART NUMBER	Page 130
HYDRAULIC MOTOR (Figure 77) 36/48 VOLT STANDARD IDENTIFY BY PART NUMBER	Page 131
HYDRAULIC MOTOR (Figure 78) 36/48 VOLT PREMIUM IDENTIFY BY PART NUMBER	Page 132
HYDRAULIC MOTOR (Figure 79) 36/48 VOLT PREMIUM IDENTIFY BY PART NUMBER	Page 133
HYDRAULIC MOTOR (Figure 80) 72/80 VOLT	Page 134
HYDRAULIC MOTOR (OPTIONAL) (Figure 81) 72/80 VOLT	Page 135

TABLE OF CONTENTS

<u>DESCRIPTION</u>	<u>PAGE</u>
H (Continued)	
HYDRAULIC PUMP (Figure 75)	Page 129
HYDRAULIC TANK (Figure 87)	Page 146
I	
INNER MAST (Figure 109) VISTA THREE-STAGE FFL	Page 186
INNER MAST (Figure 121) GLOBAL THREE-STAGE FFL	Page 214
INNER MAST (Figure 136) VISTA TWO-STAGE FFL	Page 238
INNER MAST (Figure 146) GLOBAL TWO-STAGE FFL	Page 258
INNER MAST (Figure 89) VISTA TWO-STAGE LFL	Page 150
INNER MAST (Figure 96) GLOBAL TWO-STAGE LFL	Page 164
INSTRUMENTS 36/48V (Figure 68) LAST USED ON S/N B168V1998	Page 118
INSTRUMENTS 72/80V (Figure 69) LAST USED ON S/N B168A-2528	Page 120
INTERMEDIATE MAST (Figure 108) VISTA THREE-STAGE FFL	Page 184
INTERMEDIATE MAST (Figure 120) GLOBAL THREE-STAGE FFL	Page 212
L	
LABELS (Figure 2)	Page 4
LIFT (Figure 90) VISTA TWO-STAGE LFL	Page 152
LIFT (Figure 97) GLOBAL TWO-STAGE LFL	Page 166
LIFT CYLINDER (Figure 91) VISTA TWO-STAGE LFL	Page 154
LIGHTS (Figure 171) LAST USED ON S/N B168V-1536	Page 294
LIGHTS (Figure 172) FIRST USED ON S/N B168V-1537	Page 296

TABLE OF CONTENTS

<u>DESCRIPTION</u>	<u>PAGE</u>
L (Continued)	
LOAD BACKREST EXTENSION (Figure 104) GLOBAL TWO-STAGE LFL	Page 178
LOAD BACKREST EXTENSION (Figure 116)	Page 200
LOAD BACKREST EXTENSION (Figure 132) GLOBAL THREE-STAGE FFL	Page 232
LOAD BACKREST EXTENSION (Figure 142)	Page 249
LOAD BACKREST EXTENSION (Figure 157) GLOBAL TWO-STAGE FFL	Page 276
LOAD BACKREST EXTENSION (Figure 93)	Page 157
M	
MAIN CYLINDER (Figure 127) GLOBAL THREE-STAGE FFL	Page 226
MAIN CYLINDER (Figure 151) GLOBAL TWO-STAGE FFL LEFT HAND	Page 268
MAIN CYLINDER (Figure 152) GLOBAL TWO-STAGE FFL RIGHT HAND	Page 270
MAIN LIFT (Figure 110) VISTA THREE-STAGE FFL	Page 188
MAIN LIFT (Figure 122) GLOBAL THREE-STAGE FFL	Page 216
MAIN LIFT (Figure 137) VISTA TWO-STAGE FFL	Page 240
MAIN LIFT (Figure 147) GLOBAL TWO-STAGE FFL	Page 260
MAIN LIFT CYLINDER (Figure 112) VISTA THREE-STAGE FFL	Page 194
MAIN LIFT CYLINDER (Figure 139) VISTA TWO-STAGE FFL	Page 244
MAST INSTALLATION (Figure 125) GLOBAL THREE-STAGE FFL	Page 223
MAST INSTALLATION (Figure 149) GLOBAL TWO-STAGE FFL	Page 265
MAST INSTALLATION (Figure 98) GLOBAL TWO-STAGE LFL	Page 169
MASTER CYLINDER (Figure 26)	Page 44

TABLE OF CONTENTS

<u>DESCRIPTION</u>	<u>PAGE</u>
M (Continued)	
MOUNT-PUMP/MOTOR (Figure 74)	Page 128
O	
OUTER MAST (Figure 107) VISTA THREE-STAGE FFL	Page 182
OUTER MAST (Figure 119) GLOBAL THREE-STAGE FFL	Page 210
OUTER MAST (Figure 135) VISTA TWO-STAGE FFL	Page 236
OUTER MAST (Figure 145) GLOBAL TWO-STAGE FFL	Page 256
OUTER MAST (Figure 88) VISTA TWO-STAGE LFL	Page 148
OUTER MAST (Figure 95) GLOBAL TWO-STAGE LFL	Page 162
OVERHEAD GUARD (Figure 4)	Page 8
P	
PANEL-CONTACTOR (Figure 52) FIRST USED ON S/N B168A-1782 B168V-1702 WITHOUT REGENERATIVE BRAKING	Page 92
PANEL-CONTACTOR (EV100LX) (Figure 53) FIRST USED ON S/N B168A-2529 B168V-1947 WITHOUT REGENERATIVE BRAKING	Page 93
PARK BRAKE (Figure 29) LEVER ACTUATED	Page 50
PARK BRAKE (Figure 30) SEAT ACTUATED	Page 51
PARK BRAKE LINKAGE (Figure 31) SEAT ACTUATED	Page 52
PUBLICATIONS (Figure 1)	Page 1
PUMP PANEL (Figure 49)	Page 86
PUMP PANEL (PREMIUM) (72/80V) (Figure 48) LAST USED ON S/N B168A-1781	Page 85
S	
SEAT (Figure 9)	Page 14

TABLE OF CONTENTS

<u>DESCRIPTION</u>	<u>PAGE</u>
S (Continued)	
SEAT/ATTACHING PARTS (Figure 8)	Page 12
SIDESHIFT CARRIAGE (Figure 168) VISTA MASTS	Page 288
SIDESHIFT CARRIAGE (Figure 170) GLOBAL MASTS	Page 292
SIDESHIFT CYLINDER (Figure 169)	Page 290
STEERING AXLE (Figure 24)	Page 38
STEERING COLUMN (Figure 15)	Page 24
STEERING CYLINDER (Figure 19)	Page 30
STEERING HYDRAULICS (Figure 18)	Page 28
STEERING MOTOR (Figure 21)	Page 32
STEERING MOTOR (Figure 22) FIRST USED ON S/N B168A-2430, USED ON S/N B168V-1943 THRU S/N B168V-2289	Page 34
STEERING MOTOR (Figure 23) FIRST USED ON S/N B168V-2290	Page 36
STEERING PUMP (Figure 20)	Page 31
STROBE LIGHT (Figure 173)	Page 298
T	
TILT CYLINDER (Figure 82)	Page 136
TIRE/WHEEL (Figure 164) STEER	Page 284
TIRE/WHEEL (Figure 165) DRIVE WHEEL	Page 285
TRACTION MOTOR (Figure 12) 36/48 VOLT PREMIUM	Page 20
TRACTION MOTOR (Figure 13) 72/80 VOLT	Page 21
TRACTION MOTOR (OPTIONAL) (Figure 14) 72/80 VOLT	Page 22
TRACTION PANEL (Figure 46)	Page 82
TRACTION PANEL (72/80V) (Figure 47) LAST USED ON S/N B168A-1781	Page 84
TRANSMISSION AND DIFFERENTIAL (Figure 11)	Page 18

Please Click Here To Download The Complete Manual
Download Other Manuals
If Having Any Questions Feel Free To Contact us

admin@servicemanualbit.com