

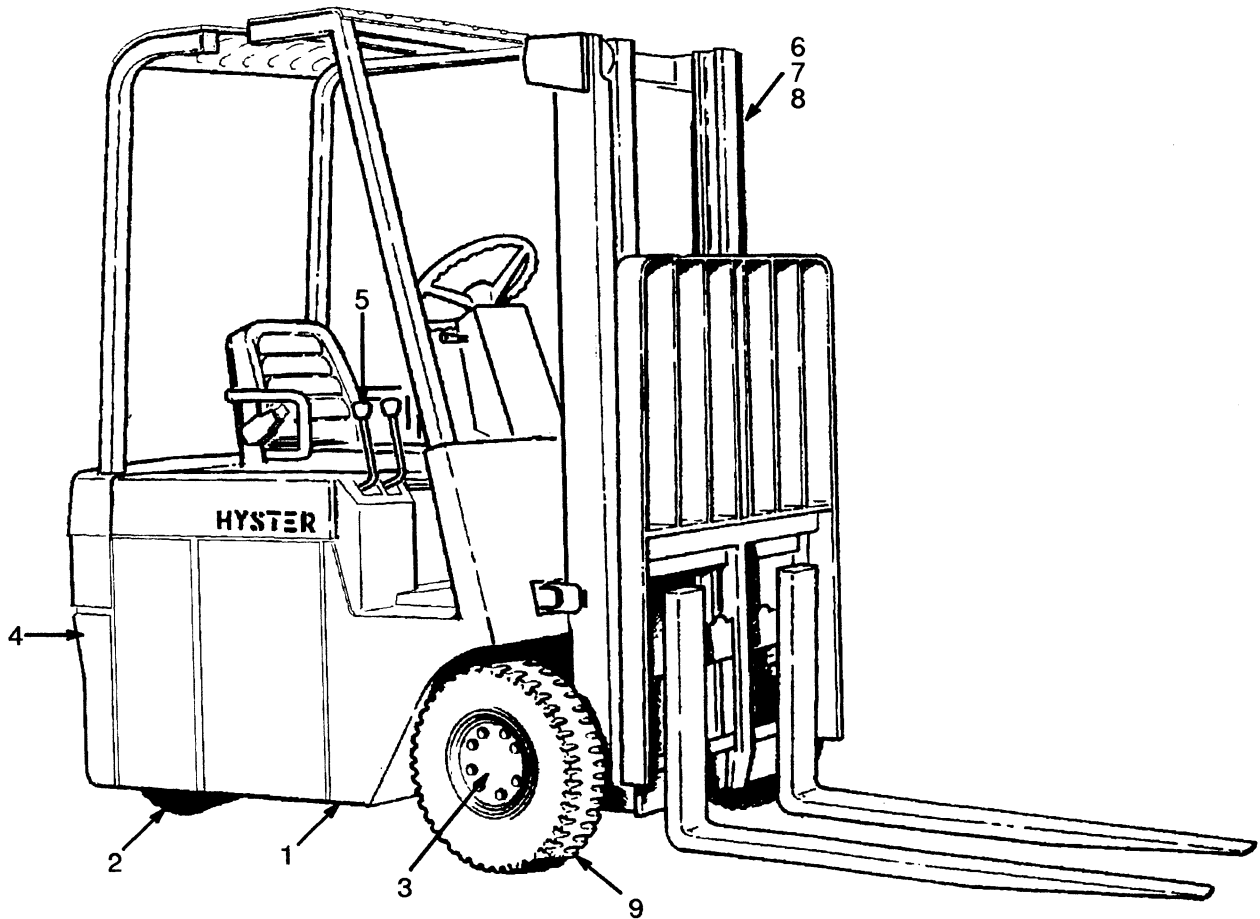
PARTS MANUAL

**ELECTRIC
J25-35B, J30BS
(B160)**

CUSTOMER EDITION

HYSTER

INDEX-ILLUSTRATED



REF	SECTION	PAGE
1	FRAME	3
2	STEERING	17
3	BRAKE SYSTEM	41
4	ELECTRICAL SYSTEM	55
5	HYDRAULIC SYSTEM	83
6	MAST (VISTA TWO-STAGE LFL)	111
7	MAST (VISTA THREE-STAGE FFL)	121
8	MAST (VISTA TWO-STAGE FFL)	135
9	OPTIONAL EQUIPMENT	147
10	NUMERICAL INDEX	165

TABLE OF CONTENTS

DESCRIPTION	PAGE NO.
A	
1A CONTACTOR (Figure 37) EV100 LAST USED ON S/N B160V-2395	Page 66
ACCELERATOR PEDAL (Figure 26) LAST USED ON S/N B160V-1743	Page 46
ACCELERATOR PEDAL (Figure 27) FIRST USED ON S/N B160V-1744	Page 47
B	
BACKUP ALARM (Figure 95) EV-100 CONTROLLER	Page 163
BATTERY CONNECTOR (Figure 48)	Page 80
BATTERY CONTROLLER (Figure 47) WITH BATTERY INDICATOR WITH LIFT INTERRUPT	Page 79
BRAKE & ACCELERATOR (Figure 24) LAST USED ON S/N B160V-1743	Page 42
BRAKE & ACCELERATOR (Figure 25) FIRST USED ON S/N B160V-1744	Page 44
BRAKE LINKAGE (Figure 28)	Page 48
C	
CARRIAGE (Figure 69)	Page 119
VISTA 2-STAGE LIMITED FREE LIFT	
CARRIAGE (Figure 77)	Page 134
VISTA 3-STAGE FULL FREE LIFT	
CARRIAGE (Figure 84)	Page 146
VISTA 2-STAGE FULL FREE LIFT	
CONTACTOR PANEL (Figure 35) EV100-24 VOLT LAST USED ON S/N B160V-2395	Page 64
CONTACTOR PANEL (Figure 36) EV100-36 VOLT LAST USED ON S/N B160V-2395	Page 65
CONTACTOR PANEL (Figure 43) EV100LX FIRST USED ON S/N B160V-2396	Page 72
CONTACTOR-1A & PUMP (Figure 41) EV100LX FIRST USED ON S/N B160V-2396	Page 70
CONTACTOR-D (Figure 39) EV100 LAST USED ON S/N B160V-2395	Page 68

TABLE OF CONTENTS

<u>DESCRIPTION</u>	<u>PAGE NO.</u>
C (Continued)	
CONTACTOR-D (Figure 42) EV100LX FIRST USED ON S/N B160V-2396	Page 71
CONTROL & ATTACHING PARTS VALVE (Figure 57) LAST USED ON S/N B160V-1743	Page 100
CONTROL & ATTACHING PARTS VALVE (Figure 58) FIRST USED ON S/N B160V-1744	Page 101
CONTROL PANEL (Figure 33) EV100 LAST USED ON S/N B160V-2395	Page 60
CONTROL PANEL (Figure 34) EV100 FIRST USED ON S/N B160V-2396	Page 62
CONTROL VALVE (Figure 53) LAST USED ON S/N B160V-1743	Page 92
CONTROL VALVE (Figure 54) TWO FUNCTION FIRST USED ON S/N B160V-1744	Page 94
CONTROL VALVE (Figure 55) THREE FUNCTION FIRST USED ON S/N B160V-1744	Page 96
CONTROL VALVE (Figure 56) FOUR FUNCTION FIRST USED ON S/N B160V-1744	Page 98
CONTROL VALVE FOUR FUNCTION FIRST USED ON S/N B160V-1744	Page 99
D	
DISCONNECT BRAKE (Figure 30)	Page 52
E	
ELECTRICAL (Figure 31) EV100 LAST USED ON S/N B160V-2395	Page 56
ELECTRICAL (Figure 32) EV100LX FIRST USED ON S/N B160V-2396	Page 58
F	
FIRE EXTINGUISHER (Figure 93)	Page 161
FORK (Figure 90) IDENTIFICATION BY PART NUMBER	Page 156
FORWARD & REVERSE CONTACTOR (Figure 38) EV100 LAST USED ON S/N B160V-2395	Page 67

TABLE OF CONTENTS

<u>DESCRIPTION</u>	<u>PAGE NO.</u>
F (Continued)	
FORWARD & REVERSE CONTACTOR (Figure 40) EV100LX FIRST USED ON S/N B160V-2396	Page 69
FRAME & BODY (Figure 3)	Page 6
FREE LIFT CYLINDER (Figure 76)	Page 133
FREE LIFT (Figure 74)	Page 130
FREE LIFT (Figure 81)	Page 142
G	
GAUGE & METER (Figure 46)	Page 78
H	
HAND LEVERS (Figure 51) LAST USED ON S/N B160V-1743	Page 88
HAND LEVERS (Figure 52) FIRST USED ON S/N B160V-1744	Page 90
HAND PUMP (Figure 16) LAST USED ON S/N B160V-1743	Page 30
HAND PUMP (Figure 17) FIRST USED ON S/N B160V-1744	Page 31
HEADER HOSE (Figure 87) VISTA TWO-STAGE	Page 150
HEADER HOSE (Figure 88) VISTA THREE-STAGE	Page 152
HEADER HOSE (Figure 89) VISTA FREE-LIFT	Page 154
HYDRAULIC (Figure 50) TILT CYLINDER	Page 86
HYDRAULIC FILTER (Figure 63)	Page 107
HYDRAULIC MOTOR (Figure 23) FIRST USED ON S/N B160V-1744	Page 39
HYDRAULIC MOTOR (Figure 59)	Page 102
HYDRAULIC MOTOR (Figure 60) 24-VOLT FIRST USED ON S/N B160V-2404 (ALSO 2379 AND 2384; EXCEPT 2407)	Page 103
HYDRAULIC MOTOR (Figure 61) 36 VOLT (OPTIONAL)	Page 104

TABLE OF CONTENTS

DESCRIPTION	PAGE NO.
H (Continued)	
HYDRAULIC PUMP (Figure 62)	Page 106
I	
INNER MAST (Figure 66)	Page 114
INNER MAST (Figure 72)	Page 126
INNER MAST (Figure 79)	Page 138
INTERMEDIATE MAST (Figure 71)	Page 124
L	
LABELS & PAINT (Figure 2)	Page 4
LIFT CYLINDER (Figure 68)	Page 118
LIFT (Figure 67)	Page 116
LIFT FREE CYLINDER (Figure 83)	Page 145
LIGHTS (Figure 91)	Page 158
LOAD BACKREST EXTENSION (Figure 9)	Page 16
M	
MAIN HYDRAULIC (Figure 49)	Page 84
MAIN LIFT CYLINDER (Figure 75)	Page 132
MAIN LIFT CYLINDER (Figure 82)	Page 144
MAIN LIFT (Figure 73)	Page 128
MAIN LIFT (Figure 80)	Page 140
MASTER CYLINDER (Figure 29)	Page 50
O	
OUTER MAST (VISTA 2-STAGE LIMITED FREE LIFT) (Figure 65)	Page 112
OUTER MAST (VISTA 3-STAGE FULL FREE LIFT) (Figure 70)	Page 122
OUTER MAST (VISTA 2-STAGE FULL FREE LIFT (Figure 78)	Page 136
OVERHEAD GUARD (Figure 8)	Page 15
P	
PUBLICATIONS (Figure 1)	Page 1

TABLE OF CONTENTS

<u>DESCRIPTION</u>	<u>PAGE NO.</u>
S	
SEAT (Figure 4)	Page 8
SIDESHIFT CARRIAGE (Figure 85)	Page 148
SIDESHIFT CYLINDER (Figure 86)	Page 149
STEERING AXLE (Figure 14) LAST USED ON S/N B160V-1743	Page 26
STEERING AXLE (Figure 15) FIRST USED ON S/N B160V-1744	Page 28
STEERING COLUMN (Figure 10) LAST USED ON S/N B160V-1743	Page 18
STEERING COLUMN (Figure 11) FIRST USED ON S/N B160V-1744	Page 20
STEERING CYLINDER (Figure 22) LAST USED ON S/N B160V-1743	Page 38
STEERING LINES (Figure 12) LAST USED ON B160V-1743	Page 22
STEERING LINES (Figure 13) FIRST USED ON S/N B160V-1744	Page 24
STEERING MOTOR (Figure 18)	Page 32
STEERING MOTOR (Figure 19) OPTIONAL FIRST USED ON S/N B160V-2306	Page 34
STEERING MOTOR (Figure 20) OPTIONAL FIRST USED ON S/N PENDING PER ECN 59122	Page 36
STEERING PUMP (Figure 21)	Page 37
STROBE LIGHT (Figure 94) MEDIUM INTENSITY	Page 162
T	
TILT CYLINDER (Figure 64)	Page 108
TIRE & WHEEL (Figure 92)	Page 160
TRACTION MOTOR (Figure 6)	Page 12
TRACTION MOTOR (Figure 7) OPTIONAL	Page 13
TRACTION PANEL (Figure 44) EV100 LAST USED ON S/N B160V-2395	Page 74

TABLE OF CONTENTS

DESCRIPTION	PAGE NO.
T (Continued)	
TRACTION PANEL (Figure 45) EV100LX FIRST USED ON S/N B160V-2396	Page 76
TRANSAXLE (Figure 5)	Page 10

Please Click Here To Download The Complete Manual
Download Other Manuals
If Having Any Questions Feel Free To Contact us

admin@servicemanualbit.com