

PARTS MANUAL

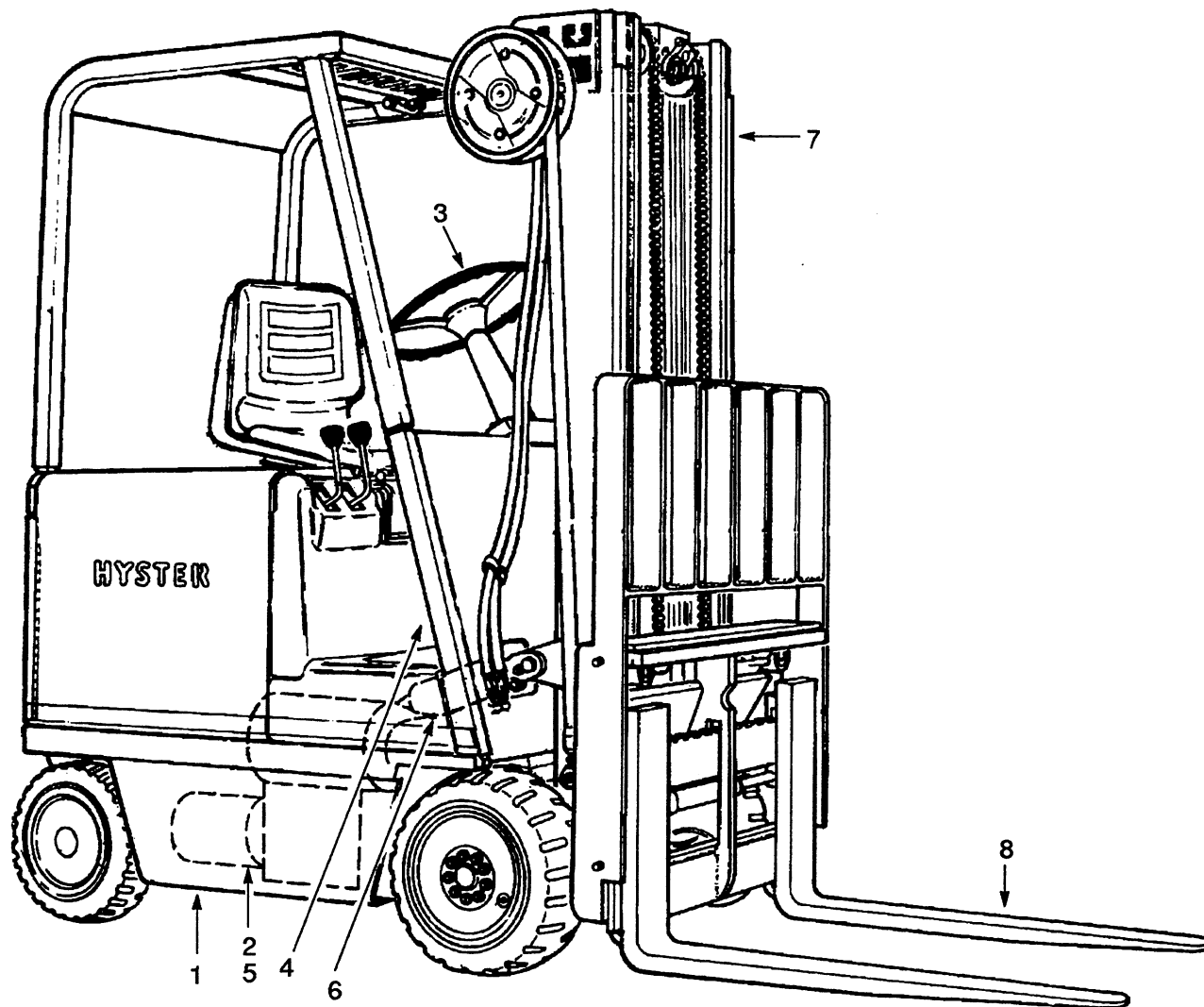
**ELECTRIC
E20-25B
E30BS**

(B114)

CUSTOMER EDITION

HYSTER

ILLUSTRATED INDEX



REF	SECTION	PAGE
1	FRAME AND BODY	Page 3
2	TRACTION MOTOR AND DRIVE TRAIN	Page 13
3	STEERING SYSTEM	Page 25
4	ACCELERATOR AND BRAKES	Page 47
5	ELECTRICAL SYSTEM	Page 67
6	HYDRAULIC SYSTEM	Page 85
7	INTERMEDIATE FREE LIFT MAST	Page 103
7	FREE LIFT MAST	Page 115
7	THREE STAGE MAST	Page 129
8	OPTIONAL	Page 145

TABLE OF CONTENTS

<u>DESCRIPTION</u>	<u>PAGE</u>
A	
ACCELERATOR PEDAL (Figure 26) LAST USED ON S/N B114A-2327, B114H-1559, B114V-2925	Page 48
ACCELERATOR PEDAL (Figure 29) FIRST USED ON S/N B114A-2328, B114H-1560, B114V-2926	Page 52
ACCELERATOR SWITCH (Figure 28) LAST USED ON S/N B114A-2327, B114H-1559, B114V-2925	Page 50
ATTACHMENT CARRIAGE (Figure 89) SIDESHIFT	Page 154
AXLE (Figure 16) MANUAL STEERING	Page 32
AXLE (Figure 17) POWER STEERING	Page 34
B	
BATTERY DISCONNECT (Figure 41)	Page 70
BATTERY INDICATOR (Figure 48)	Page 82
BATTERY TIE DOWN (Figure 5)	Page 10
BRAKE (Figure 27) LAST USED ON S/N B114A-2327, B114H-1559, B114V-2925	Page 49
BRAKE (Figure 33) LAST USED ON S/N B114T-1622, B114V-4591	Page 58
BRAKE (Figure 34) FIRST USED ON S/N B114T-1623, B114V-4592	Page 59
BRAKE LINKAGE (Figure 30) FIRST USED ON S/N B114A-2328, B114H-1560, B114V-2926	Page 54
C	
CARRIAGE (Figure 64)	Page 112
CARRIAGE (Figure 72)	Page 126
CARRIAGE (Figure 81)	Page 142

TABLE OF CONTENTS

<u>DESCRIPTION</u>	<u>PAGE</u>
C (Continued)	
CONTACTOR (Figure 46) FORWARD/REVERSE	Page 78
CONTACTOR (Figure 47) PUMP/1A	Page 80
CONTROL KNOBS (Figure 92)	Page 158
CONTROL PANEL (Figure 42)	Page 71
CONTROL VALVE (Figure 50)	Page 88
CONTROL VALVE LINKAGE (Figure 51)	Page 90
COUNTERWEIGHT (Figure 3)	Page 6
CROSSHEAD (Figure 68)	Page 120
D	
DRIVE AXLE (Figure 12)	Page 22
E	
ELECTRICAL SYSTEM (Figure 40)	Page 68
F	
FRAME AND BODY (Figure 2)	Page 4
FIRE EXTINGUISHER (Figure 91)	Page 157
FORKS (Figure 85)	Page 148
FREE LIFT CYLINDER (Figure 70)	Page 122
FREE LIFT CYLINDER (Figure 78)	Page 137
FUSE PANEL (Figure 44)	Page 74

TABLE OF CONTENTS

<u>DESCRIPTION</u>	<u>PAGE</u>
H	
HAND LEVERS (Figure 54) 'H' TYPE - TWO, THREE AND FOUR FUNCTION	Page 95
HAND LEVERS (Figure 55) SINGLE LEVER AND 'H' TYPE	Page 97
HAND PUMP (Figure 20) LAST USED ON S/N B114A-2127, B114H-1575, B114V-2619	Page 38
HAND PUMP (Figure 21) FIRST USED ON S/N B114A-2128, B114H-1576, B114V-2620	Page 39
HEADER HOSES (Figure 63)	Page 110
HEADER HOSES (Figure 71)	Page 124
HEADER HOSES (Figure 79) EXTERNAL ROUTING	Page 138
HEADER HOSES (Figure 80) INTERNAL ROUTING	Page 140
HYDRAULIC MOTOR (Figure 56) LAST USED ON S/N B114V-4803	Page 99
HYDRAULIC MOTOR (Figure 57) FIRST USED ON S/N B114V-4804	Page 100
HYDRAULIC PUMP (Figure 58) LAST USED ON S/N B114V-1954 NOT USED ON UK UNITS	Page 101
HYDRAULIC PUMP (Figure 59) FIRST USED ON S/N B114V-1955 USED ON ALL UK UNITS	Page 102
HYDRAULIC SYSTEM (Figure 49)	Page 86
L	
LABELS AND PAINT (Figure 4)	Page 8
LIFT CYLINDER (Figure 62)	Page 108
LIFT (Figure 61)	Page 106

TABLE OF CONTENTS

<u>DESCRIPTION</u>	<u>PAGE</u>
L (Continued)	
LIGHTS (Figure 87)	Page 150
LOAD BACKREST EXTENSION (Figure 65)	Page 113
LOAD BACKREST EXTENSION (Figure 73)	Page 127
LOAD BACKREST EXTENSION (Figure 82)	Page 143
M	
MAIN LIFT AND FREE LIFT (Figure 67)	Page 118
MAIN LIFT AND FREE LIFT (Figure 75) ROLLER-TYPE CROSSHEAD	Page 132
MAIN LIFT AND FREE LIFT (Figure 76) SHOE-TYPE CROSSHEAD	Page 134
MAIN LIFT CYLINDER (Figure 69)	Page 121
MAIN LIFT CYLINDER (Figure 77)	Page 136
MANUAL SEAT BRAKE (Figure 36) FIRST USED ON S/N B114-4191	Page 62
MANUAL STEERING (Figure 13)	Page 26
MASTER CYLINDER (Figure 37) LAST USED ON S/N B114A-2667, B114T-1597 AND B114V-4592 FIRST USED ON S/N B114T-1623 AND B114V-4592	Page 64
MASTER CYLINDER (Figure 38) FIRST USED ON S/N B114A-2668, USED ON S/N B114T-1598 ⇒ B114T-1622, USED ON S/N B114V-3770 ⇒ B114V-4591	Page 65
MASTS (Figure 74)	Page 130
MONOTROL PEDAL (Figure 31) LAST USED ON S/N B114A-2327, B114H-1559, B114V-2925	Page 56
MONOTROL PEDAL (Figure 32) FIRST USED ON S/N B114A-2328, B114H-1560, B114V-2926	Page 57

TABLE OF CONTENTS

DESCRIPTION	PAGE
O	
OUTER AND INNER MASTS (Figure 60)	Page 104
OUTER AND INNER MASTS (Figure 66)	Page 116
OVERHEAD GUARD (Figure 7)	Page 12
P	
PARK BRAKE (Figure 39)	Page 66
PARK BRAKE LINKAGE (Figure 35) LAST USED ON S/N B114V-4190	Page 60
POWER STEERING CONTACTOR (Figure 45) LAST USED ON S/N B114A-2327, B114H-1559, B114V-2925	Page 76
POWER STEERING CYLINDER (Figure 18)	Page 36
POWER STEERING (Figure 14) FIRST USED ON S/N B114A-2490 AND B114H-1560	Page 28
POWER STEERING LINKAGE (Figure 15) FIRST USED ON S/N B114A-2490 AND B114H-1560	Page 30
POWER STEERING MOTOR (Figure 24) LAST USED ON S/N B114A-2489, B114H-1559, B114V-3288	Page 44
POWER STEERING MOTOR (Figure 25) FIRST USED ON S/N B114A-2490, B114H-1560, B114V-3289	Page 45
POWER STEERING PUMP (Figure 22) LAST USED ON S/N B114A-2327, B114H-1559, B114V-2925	Page 40
POWER STEERING PUMP (Figure 23) FIRST USED ON S/N B114A-2328, B114H-1560, B114V-2926	Page 42
PUBLICATIONS (Figure 1)	Page 1
S	
SCR PANEL (Figure 43)	Page 72
SEAT (Figure 6)	Page 11

TABLE OF CONTENTS

<u>DESCRIPTION</u>	<u>PAGE</u>
S (Continued)	
SIDESHIFT CARRIAGE (Figure 88) INTERMEDIATE FREE LIFT, FREE LIFT AND THREE STAGE	Page 152
SIDESHIFT CYLINDER (Figure 90)	Page 156
STEERING GEAR ASSEMBLY (Figure 19)	Page 37
T	
TILT CYLINDER (Figure 53)	Page 93
TILT CYLINDER HYDRAULICS (Figure 52)	Page 92
TIRE AND WHEEL (Figure 83) DRIVE	Page 146
TIRE AND WHEEL (Figure 84) STEERING	Page 147
TRACTION MOTOR (Figure 10) PRESTOLITE, 36/48V - EUROPE	Page 18
TRACTION MOTOR (Figure 8) 36/48 VOLT	Page 14
TRACTION MOTOR (Figure 9) ELECON, 36/48 VOLT - EUROPE	Page 16
TRANSMISSION/DIFFERENTIAL (Figure 11)	Page 20
W	
WING PANEL (Figure 86)	Page 149

Please Click Here To Download The Complete Manual
Download Other Manuals
If Having Any Questions Feel Free To Contact us

admin@servicemanualbit.com