

PARTS MANUAL

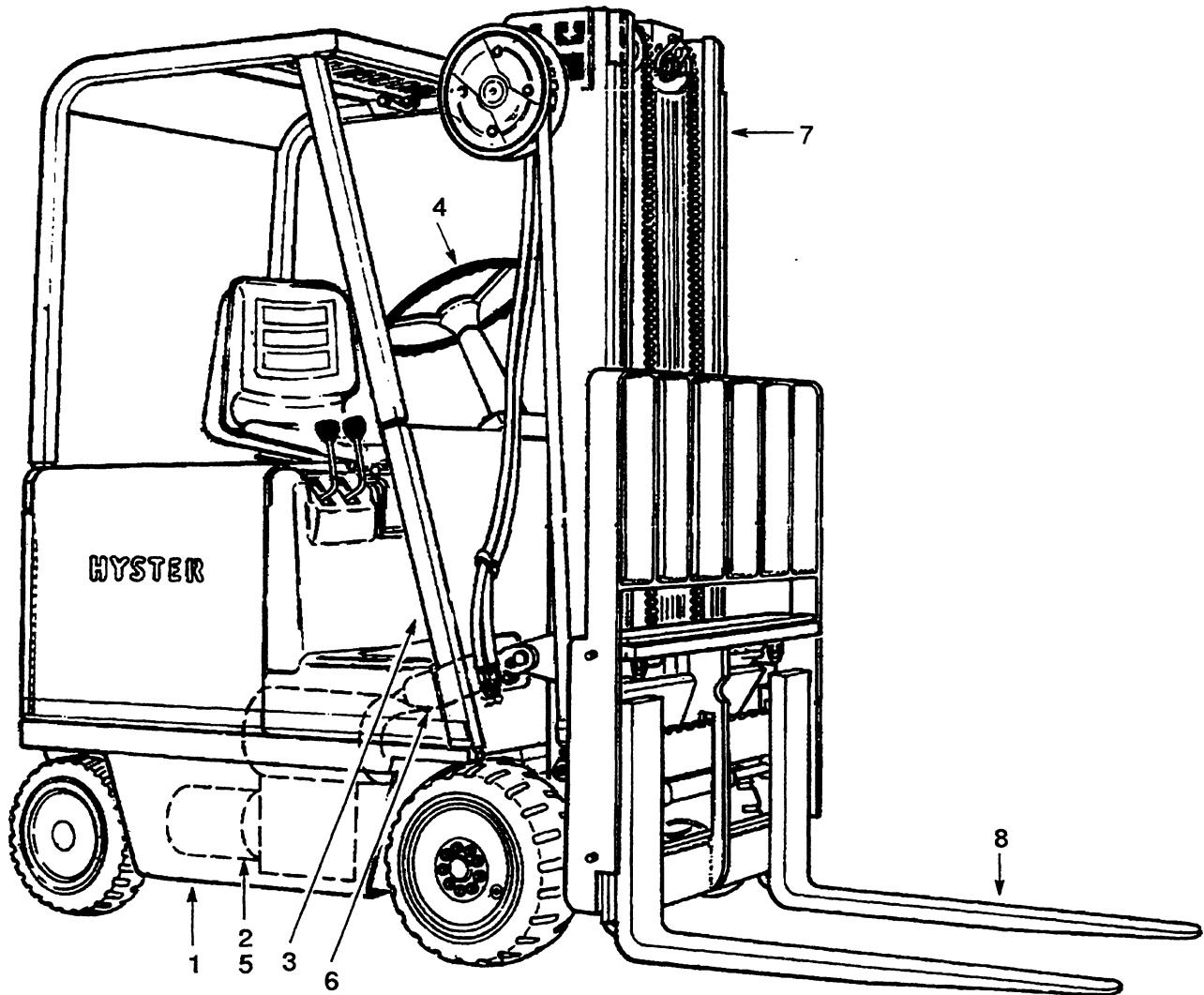
**ELECTRIC
E30-40-50B
E60BS**

(B108)

CUSTOMER EDITION

HYSTER

ILLUSTRATED INDEX



REF	SECTION	PAGE
1	FRAME AND BODY	Page 3
2	TRACTION MOTOR AND DRIVE AXLE	Page 19
3	ACCELERATOR AND BRAKES	Page 33
4	STEERING SYSTEM	Page 49
5	ELECTRICAL SYSTEM	Page 75
6	HYDRAULIC SYSTEM	Page 97
7	INTERMEDIATE FREE LIFT MAST	Page 137
7	FULL FREE LIFT MAST	Page 157
7	THREE STAGE MAST	Page 169
7	FOUR STAGE MAST	Page 191
7	VISTA TWO STAGE MAST	Page 201
7	VISTA THREE STAGE MAST	Page 213
8	OPTIONAL	Page 237

TABLE OF CONTENTS

<u>DESCRIPTION</u>	<u>PAGE</u>
A	
ACCELERATOR PEDAL (Figure 14) LAST USED ON S/N B108A-2623, B108T-1571, B108V-4967	Page 34
ACCELERATOR PEDAL (Figure 15) FIRST USED ON S/N B108A-2624, B108T-1572, B108V-4968	Page 35
ACCELERATOR SWITCH (Figure 20) LAST USED ON S/N B108A-2623, B108T-1571, B108V-4967	Page 40
AUXILIARY HAND LEVERS (Figure 71) LAST USED ON S/N B108V-8113	Page 128
B	
BATTERY CONNECTOR (Figure 41)	Page 79
BATTERY INDICATOR (Figure 50)	Page 92
BATTERY TIE DOWN (Figure 5)	Page 12
BRAKE (Figure 16) LAST USED ON S/N B108A-2623, B108T-1571, B108V-4967	Page 36
BRAKE (Figure 21)	Page 42
BRAKE LINKAGE (Figure 17) FIRST USED ON S/N B108A-2624, B108T-1572, B108V-4968	Page 37
C	
CARRIAGE (Figure 101) FOUR STAGE MAST	Page 200
CARRIAGE (Figure 107) VISTA TWO STAGE	Page 212
CARRIAGE (Figure 118) VISTA THREE STAGE	Page 236
CARRIAGE (Figure 80) INTERMEDIATE FREE LIFT 257000, 266000, 288000 AND 289000 SERIES MASTS	Page 146
CARRIAGE (Figure 84) INTERMEDIATE FREE LIFT 280000 AND 282000 SERIES MASTS	Page 156

TABLE OF CONTENTS

<u>DESCRIPTION</u>	<u>PAGE</u>
C (continued)	
CARRIAGE (Figure 88) FREE LIFT	Page 167
CARRIAGE (Figure 96) THREE STAGE 282000 AND 322000 SERIES MASTS	Page 190
CONTROL KNOBS (Figure 139)	Page 281
CONTROL PANEL (Figure 44) 72/80V	Page 82
CONTROL PANEL (Figure 42) 36/48V	Page 80
CONTROL VALVE (Figure 75)	Page 134
CONTROL VALVE LINKAGE (Figure 73) LAST USED ON B108A-4112 EXCEPT 4105, B108V-8113 EXCEPT 7476, 8103	Page 132
CONTROL VALVE LINKAGE (Figure 74) FIRST USED ON B108A-4113 ALSO 4105, B108T-1920, B108V-8114 ALSO 7476, 8103	Page 133
COUNTERWEIGHT (Figure 3)	Page 8
D	
DRIVE AXLE (Figure 9)	Page 22
E	
ELECTRICAL SYSTEM (Figure 40)	Page 76
F	
FIELD WEAKENING, 1A AND PUMP CONTACTORS (Figure 47)	Page 87
FIRE EXTINGUISHER (Figure 138)	Page 280
FORKS (Figure 136)	Page 276
FORWARD AND RREVERSE CONTACTORS (Figure 46)	Page 86

TABLE OF CONTENTS

<u>DESCRIPTION</u>	<u>PAGE</u>
F (continued)	
FRAME AND BODY (Figure 2)	Page 4
FREE LIFT CYLINDER (Figure 100) FOUR STAGE MAST	Page 198
FREE LIFT CYLINDER (Figure 95) THREE STAGE E30-50, E30-50B WIDE, E60BS	Page 188
FREE LIFT (Figure 112) VISTA THREE STAGE	Page 222
FREE LIFT (Figure 92) THREE STAGE 240000 SERIES MAST	Page 182
FREE LIFT (Figure 93) THREE STAGE 282000 AND 322000 SERIES MASTS	Page 184
FREE LIFT LIFT CYLINDER (Figure 114) VISTA THREE STAGE	Page 228
FUSE PANEL (Figure 51)	Page 94
H	
HAND PUMP (Figure 34)	Page 66
HANDLEVERS (Figure 69) LAST USED ON S/N B108V-8113 EXCEPT 7476, 8103	Page 124
HANDLEVERS (Figure 70) FIRST USED ON S/N B108V-8114 ALSO 7476, 8103	Page 126
HEADER HOSES (Figure 106) VISTA TWO STAGE	Page 210
HEADER HOSES (Figure 115) VISTA THREE STAGE THREE FUNCTION VALVE	Page 230
HEADER HOSES (Figure 116) VISTA THREE STAGE NON TWINLINE FOUR FUNCTION VALVE	Page 232
HEADER HOSES (Figure 117) VISTA THREE STAGE TWINLINE FOUR FUNCTION VALVE	Page 234

TABLE OF CONTENTS

<u>DESCRIPTION</u>	<u>PAGE</u>
H (continued)	
HEADER HOSES (Figure 132) REELS WITHOUT CENTER DIVIDER 189000 TO 190000 SERIES HEADER HOSE	Page 260
HEADER HOSES (Figure 133) REELS WITHOUT CENTER DIVIDER 189000 TO 190000 SERIES HEADER HOSE	Page 264
HEADER HOSES (Figure 134) REELS WITH CENTER DIVIDER 218000 SERIES HEADER HOSE	Page 268
HEADER HOSES (Figure 135) REELS WITH CENTER DIVIDER 218000 SERIES HEADER HOSE	Page 272
HEADER HOSES (Figure 79) INTERMEDIATE FREE LIFT 257000, 266000, 288000, 289000 SERIES MASTS	Page 144
HEADER HOSES (Figure 83) INTERMEDIATE FREE LIFT 280000, 282000 SERIES MASTS	Page 154
HEADER HOSES VISTA THREE-STAGE TWINLINE FOUR FUNCTION VALVE	Page 235
HYDRAULIC MOTOR (Figure 56) 36/48 VOLT USED ON S/N B108T-1920 ⇒ B108T-2074 AND B108V-8114 ⇒ B108V-10581 ALSO 7476, 8103	Page 106
HYDRAULIC MOTOR (Figure 57) 36/48 VOLT FIRST USED ON S/N B108T-2075, B108V-10582	Page 108
HYDRAULIC MOTOR (Figure 58) IDENTIFY BY PART NUMBER	Page 110
HYDRAULIC MOTOR (Figure 59) 72/80 VOLT LAST USED ON S/N B108A-3730, B108T-1919 EXCEPT 7476, 8103	Page 112
HYDRAULIC MOTOR (Figure 60) 72/80 VOLT FIRST USED ON S/N B108A-3731, B108T-1920, B108V-8114 ALSO 7476, 8103	Page 113

TABLE OF CONTENTS

<u>DESCRIPTION</u>	<u>PAGE</u>
H (continued)	
HYDRAULIC MOTOR (Figure 61) 72/80 VOLT HIGH SPEED IDENTIFY BY PART NUMBER	Page 114
HYDRAULIC MOTOR (Figure 62) 72/80 VOLT LOW SPEED STANDARD	Page 115
HYDRAULIC MOTOR (Figure 63) 36/48 VOLT INTERNATIONAL HIGH SPEED OPTION	Page 116
HYDRAULIC PUMP (Figure 53) 36/48 VOLT E60BS OPEN, E30-60BS CLOSED; LAST USED ON S/N B108V-8113 EXCEPT 7476, 8103 (E30-50B OPEN); B108T-1919, B108A-3730	Page 102
HYDRAULIC PUMP (Figure 54) 36/48 VOLT E30-50B OPEN, 72/80 VOLT HIGH E30-60BS OPEN AND CLOSED, FIRST USED ON S/N B108V-8114 ALSO 7476, 8103 FOR E30-50B OPEN, B108T-1920, B108A-3731 ...	Page 103
HYDRAULIC PUMP (Figure 55) 72/80 VOLT LOW SPEED OPEN AND CLOSED; FIRST USED ON S/N B108V-8114 ALSO 7476, 8103; B108T-1920, B108A-3731 ...	Page 104
HYDRAULIC SYSTEM (Figure 52)	Page 100
HYDRAULIC TANK (Figure 72)	Page 130
I	
INNER AND NUMBER THREE MASTS (Figure 98) FOUR STAGE MAST	Page 194
INNER MAST (Figure 103) VISTA TWO STAGE	Page 204
INNER MAST (Figure 110) VISTA THREE STAGE	Page 218
INTERMEDIATE MAST (Figure 109) VISTA THREE STAGE	Page 216
L	
LABELS AND PAINT (Figure 4)	Page 10

TABLE OF CONTENTS

DESCRIPTION	PAGE
L (continued)	
LIFT CYLINDER (Figure 105) VISTA TWO STAGE	Page 208
LIFT CYLINDER (Figure 78) INTERMEDIATE FREE LIFT 257000, 266000, 288000, 289000 SERIES MASTS	Page 142
LIFT CYLINDER (Figure 82) INTERMEDIATE FREE LIFT 280000 AND 282000 SERIES MASTS	Page 152
LIFT CYLINDER (Figure 87) FREE LIFT	Page 164
LIFT (Figure 104) VISTA TWO STAGE	Page 206
LIFT (Figure 77) INTERMEDIATE FREE LIFT 257000, 266000, 288000, 289000 SERIES MASTS	Page 140
LIFT (Figure 86) FREE LIFT	Page 162
LIGHTS (Figure 137)	Page 278
LOAD BACKREST EXTENSION (Figure 129)	Page 255
M	
MAIN LIFT CYLINDER (Figure 113) VISTA THREE STAGE	Page 226
MAIN LIFT CYLINDER (Figure 94) THREE STAGE E30-50B, E30-50B WIDE, E60BS	Page 186
MAIN LIFT CYLINDER (Figure 99) FOUR STAGE MAST	Page 196
MAIN LIFT (Figure 111) VISTA THREE STAGE	Page 220
MAIN LIFT (Figure 90) THREE STAGE 240000 SERIES MAST	Page 174

TABLE OF CONTENTS

<u>DESCRIPTION</u>	<u>PAGE</u>
M (continued)	
MAIN LIFT (Figure 91) THREE STAGE 282000 AND 322000 SERIES MASTS	Page 178
MANUAL STEERING AXLE (Figure 31) LAST USED ON S/N B108A-4112 EXCEPT 4105; B108V-8113 EXCEPT 7476, 8103	Page 60
MANUAL STEERING (Figure 26) LAST USED ON S/N B108A-4112 EXCEPT 4105; B108V-8113 EXCEPT 7476, 8103	Page 50
MASTER CYLINDER (Figure 22)	Page 43
MONOTROL PEDAL (Figure 18) LAST USED ON S/N B108A-2623, B108T-1571, B108V-4967	Page 38
MONOTROL PEDAL (Figure 19) FIRST USED ON S/N B108A-2624, B108T-1572, B108V-4968	Page 39
MOTOR MOUNT (Figure 64) 36/48 VOLT E60BS OPEN MOTOR AND E30-60BS CLOSED MOTOR	Page 117
MOTOR MOUNT (Figure 65) 36/48 VOLT E30-50B OPEN MOTOR 72/80 VOLT E30-50B OPEN MOTOR AND CLOSED MOTOR	Page 118
O	
OUTER AND INNER MAST (Figure 81) INTERMEDIATE FREE LIFT 280000 AND 282000 SERIES MASTS	Page 148
OUTER AND INNER MASTS (Figure 76) INTERMEDIATE FREE LIFT 257000, 266000, 288000, 289000 SERIES MASTS	Page 138
OUTER AND INNER MASTS (Figure 85) FREE LIFT	Page 158
OUTER AND NUMBER TWO MASTS (Figure 97) FOUR STAGE MAST	Page 192
OUTER, INTERMEDIATE AND INNER MASTS (Figure 89) THREE STAGE 240000, 282000 AND 322000 SERIES MASTS	Page 170

TABLE OF CONTENTS

<u>DESCRIPTION</u>	<u>PAGE</u>
O (continued)	
OUTER MAST (Figure 102) VISTA TWO STAGE	Page 202
OUTER MAST (Figure 108) VISTA THREE STAGE	Page 214
OVERHEAD GUARD (Figure 7)	Page 16
P	
PARK BRAKE (Figure 25)	Page 48
PARK BRAKE LINKAGE (Figure 23) LAST USED ON S/N B108A-4112 EXCEPT 4105; B108T-1919; B108V-8113 EXCEPT 7476 AND 8103	Page 44
PARK BRAKE LINKAGE (Figure 24) FIRST USED ON S/N B108A-4113, ALSO 4105; B108T-1920; B108V-8114, ALSO 7476, 8103	Page 46
POWER STEERING AXLE (Figure 32) LAST USED ON S/N B108A-4112 EXCEPT 4105; B108V-8113 EXCEPT 7476, 8103	Page 62
POWER STEERING AXLE (Figure 33) FIRST USED ON S/N B108A-4113 ALSO 4105; B108V-8114 ALSO 7476, 8103	Page 64
POWER STEERING COLUMN (Figure 28)	Page 54
POWER STEERING CONTACTOR (Figure 48) 36/48 VOLT	Page 88
POWER STEERING CONTACTOR (Figure 49) 72/80 VOLT	Page 90
POWER STEERING CYLINDER (Figure 37)	Page 72
POWER STEERING LINKAGE (Figure 29) LAST USED ON S/N B108A-4112 EXCEPT 4105; B108T-1919; B108V-8113 EXCEPT 7476, 8103	Page 56
POWER STEERING LINKAGE (Figure 30) FIRST USED ON S/N B108A-4113 ALSO 4105; B108V-8114 ALSO 7476, 8103	Page 58
POWER STEERING MOTOR (Figure 38) LAST USED ON S/N B108A-4112 EXCEPT 4105; B108V-8113 EXCEPT 7476, 8103	Page 73

TABLE OF CONTENTS

<u>DESCRIPTION</u>	<u>PAGE</u>
P (continued)	
POWER STEERING MOTOR (Figure 39) FIRST USED ON S/N B108V-8114 ALSO 7476 AND 8103, B108T-1920	Page 74
POWER STEERING PUMP (Figure 35) LAST USED ON S/N B108A-4112 EXCEPT 4105; B108V-8113 EXCEPT 7476, 8103	Page 68
POWER STEERING PUMP (Figure 36) FIRST USED ON S/N B108A-4113 ALSO 4105; B108V-8114 ALSO 7476, 8103	Page 70
PUBLICATIONS (Figure 1)	Page 1
S	
SCR PANEL (Figure 45)	Page 84
SEAT (Figure 6)	Page 14
SIDESHIFT CARRIAGE (Figure 119) FREE LIFT MAST	Page 238
SIDESHIFT CARRIAGE (Figure 120) INTERMEDIATE FREE LIFT	Page 240
SIDESHIFT CARRIAGE (Figure 121) FREE LIFT HANG ON TYPE	Page 242
SIDESHIFT CARRIAGE (Figure 122) INTERMEDIATE FREE LIFT HANG ON TYPE	Page 244
SIDESHIFT CARRIAGE (Figure 123) THREE STAGE	Page 246
SIDESHIFT CARRIAGE (Figure 124) HANG ON TYPE VISTA TWO STAGE	Page 248
SIDESHIFT CARRIAGE (Figure 125) HANG ON TYPE VISTA THREE STAGE	Page 250
SIDESHIFT CYLINDER (Figure 126)	Page 252

TABLE OF CONTENTS

DESCRIPTION	PAGE
S (continued)	
SIDESHIFT CYLINDER (Figure 127) HANG ON TYPE CARRIAGES	Page 253
SIDESHIFT CYLINDER (Figure 128) HANG ON TYPE CARRIAGES VISTA MASTS	Page 254
STEERING GEAR ASSEMBLY (Figure 27) LAST USED ON S/N B108V-8113	Page 52
T	
TILT CYLINDER (Figure 67) LAST USED ON B108V-8436 EXCEPT 8107	Page 120
TILT CYLINDER (Figure 68) VISTA MAST	Page 122
TILT CYLINDER HYDRAULICS (Figure 66)	Page 119
TIRE AND WHEEL (Figure 130)	Page 256
TRACTION MOTOR (Figure 10) 36/48 VOLT	Page 24
TRACTION MOTOR (Figure 11) 36/48 VOLT IDENTIFY BY PART NUMBER	Page 26
TRACTION MOTOR (Figure 12) 72/80 VOLT LAST USED ON S/N B108A-3099	Page 28
TRACTION MOTOR (Figure 13) 72/80 VOLT FIRST USED ON S/N B108A-3100	Page 30
TRANSMISSION AND DIFFERENTIAL (Figure 8)	Page 20
W	
WING PANEL (Figure 131) EUROPE	Page 258

Please Click Here To Download The Complete Manual
Download Other Manuals
If Having Any Questions Feel Free To Contact us

admin@servicemanualbit.com