

# Service Manual

## HomeSite Power 5500 (4EGMBD-5269) 6500 (5EGMBE-5270) Portable Generator Set



# SAFETY PRECAUTIONS

---

Thoroughly read the OPERATOR'S MANUAL before operating the generator set. Safe operation and top performance can only be attained when equipment is operated and maintained properly.

The following symbols, found throughout this manual, alert you to potentially dangerous conditions to operators, service personnel and equipment.

**⚠ DANGER** *This symbol alerts you to an immediate hazard that will result in severe personal injury or death.*

**⚠ WARNING** *This symbol alerts you to a hazard or unsafe practice that can result in severe personal injury or death.*

**⚠ CAUTION** *This symbol alerts you to a hazard or unsafe practice that can result in personal injury or damage to equipment or property.*

Electricity, fuel, exhaust, moving parts and batteries present hazards against which precautions must be taken to prevent severe personal injury or death.

## Exhaust Gas Is Deadly

- Operate the generator set outdoors only. Stay away from the exhaust outlet.
- Make sure generator set exhaust will not enter windows, doors, vents or air intakes of adjacent buildings, vehicles or boats.
- NEVER USE THE GENERATOR SET INSIDE a home, garage, crawl space, barn, shed, cabin, boat, boat house, RV or tent, or in a confined outdoor space such as an alley, ditch, parking garage or courtyard, or in any other space where exhaust can accumulate. Note that HAZARDOUS CARBON MONOXIDE LEVELS FROM ENGINE EXHAUST CAN ACCUMULATE INDOORS EVEN WHEN ALL WINDOWS AND DOORS ARE OPEN AND FANS ARE RUNNING.

## Gasoline is Flammable / Explosive

- Refuel the generator set outdoors only.
- Static electric sparks caused by fuel flowing through a service station pump nozzle can ignite gasoline. Never fill the generator set with a service station pump nozzle. Instead, fill a safety tank sitting on the ground and then slowly transfer fuel to the generator set from the safety tank.
- DO NOT fill fuel tanks while the engine is running. A hot engine can ignite the fuel.
- To prevent fire due to fuel leakage, always close the fuel valve and let the generator set cool before transporting it or storing it in a confined space.
- DO NOT SMOKE OR ALLOW AN OPEN FLAME near the generator set. Keep flames, sparks, electrical switches, pilot lights, electrical arcs, arc-producing equipment and all other sources of ignition well away.

## Generator Voltage is Deadly

- DO NOT CONNECT THE GENERATOR SET DIRECTLY TO ANY BUILDING ELECTRICAL SYSTEM. Back-feed could cause electrocution of utility line workers and damage to equipment. An approved switching device must be used to prevent interconnections. A trained and experienced electrician must make electrical connections when the generator set is used for emergency power.
- Make sure clothing, shoes and skin are dry when handling electrical equipment.
- Never operate the generator set in rain or snow or when it is sitting on wet ground.

## Moving Parts Can Cause Severe Personal Injury or Death

- Before performing any maintenance on the generator set, disconnect the spark plug wire and the negative (-) cable of the battery to prevent accidental starting.
- Always keep hands away from moving parts.
- Do not wear loose clothing or jewelry while servicing the generator set. Loose clothing and jewelry can become caught in moving parts. Jewelry can short out electrical contacts causing sparks, flame and electrical shock.

# SAFETY PRECAUTIONS

---

- Make sure that fasteners and clamps on the generator set are tight. Keep guards in position over fans, rotors, etc.

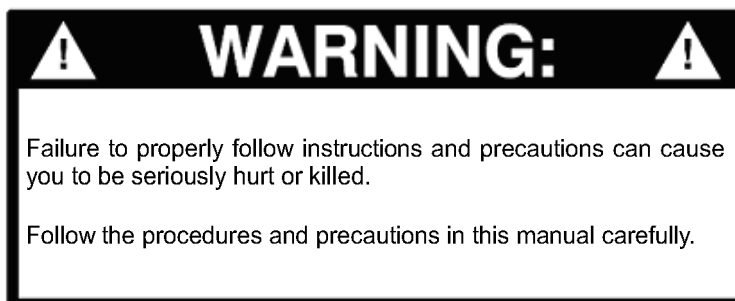
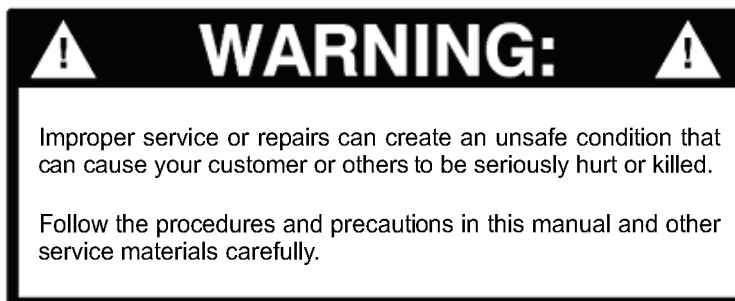
## Battery Gases are explosive

- Wear safety glasses when servicing batteries.
- Do not smoke.
- To reduce arcing when disconnecting or reconnecting battery cables, always disconnect the negative (-) cable of the battery first and reconnect it last.

## General Precautions

- Keep children away from the generator set.
- Wear hearing protection when near an operating generator set.
- Keep a multi-class ABC fire extinguisher readily at hand. Class A fires involve ordinary combustible materials such as wood and cloth. Class B fires involve combustible and flammable liquids and gaseous fuels. Class C fires involve live electrical equipment. (ref. NFPA No. 10)

- Benzene and lead may be found in gasoline and have been identified by some state and federal agencies as causing cancer or reproductive toxicity. Do not ingest, inhale or contact gasoline.
- Used engine oils have been identified by some state and federal agencies as causing cancer or reproductive toxicity. Do not ingest, inhale or contact used engine oil or its vapors.
- Keep the generator set clean and dry at all times. Excess grease and oil can catch fire and/or accumulate dirt, which can cause overheating.
- Do not store anything on the generator set, such as oil cans, oily rags, chains or wooden blocks. A fire could result or operation could be adversely affected
- Do not work on the generator set when you are mentally or physically fatigued or have consumed alcohol or drugs.



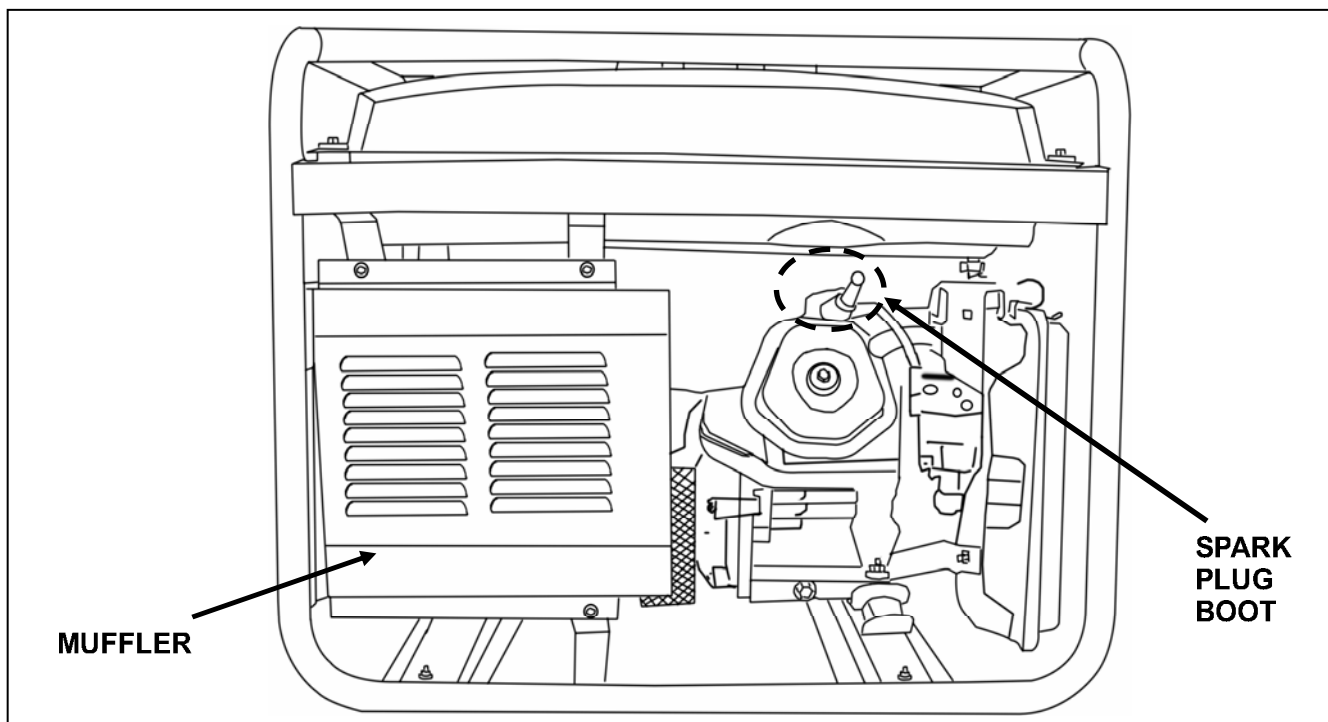
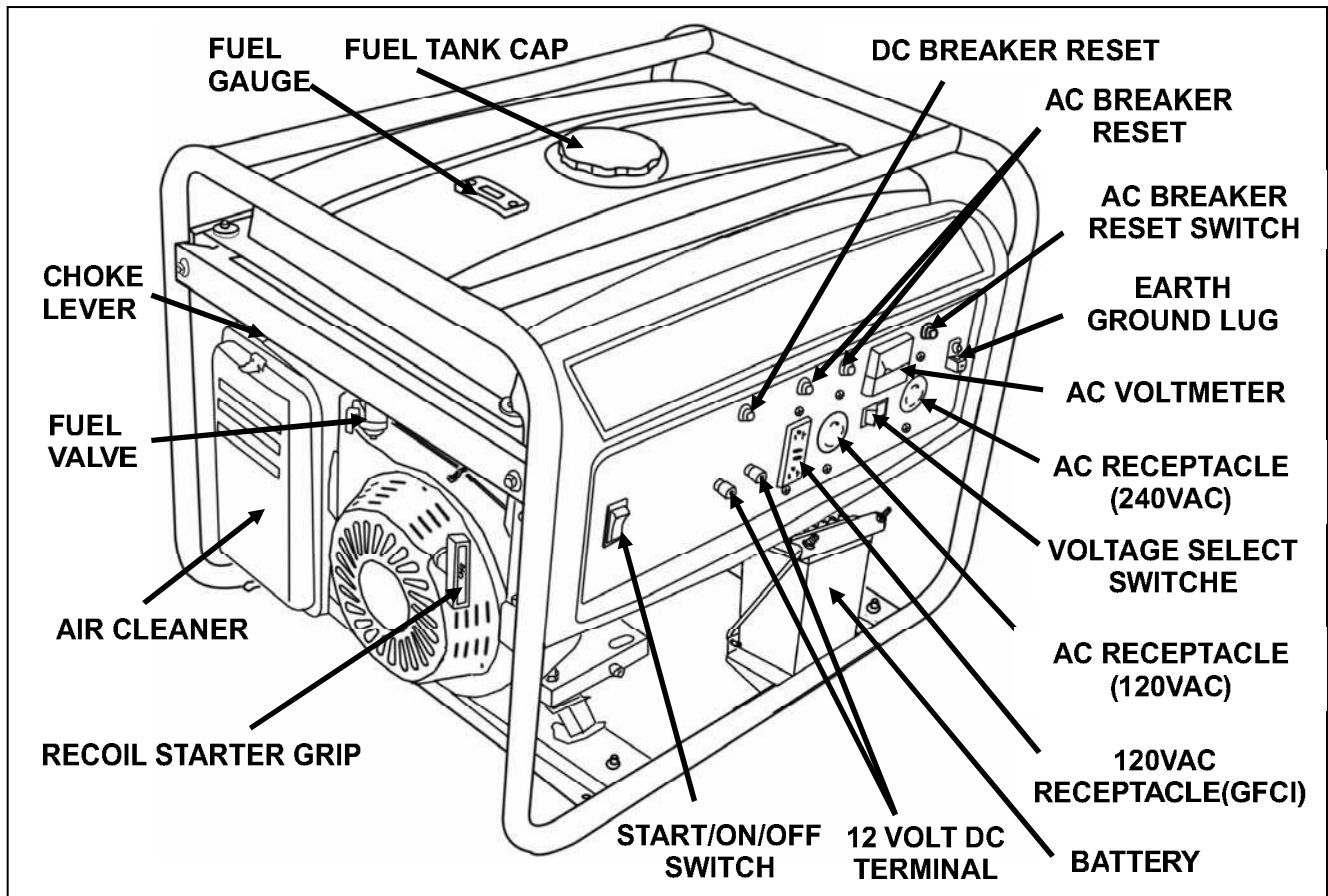
# TABLE OF CONTENTS

---

| Title                              | Page |
|------------------------------------|------|
| SECTION 1 INTRODUCTION             | 1    |
| 1-1 Generator Components           | 1    |
| 1-2 Specifications                 | 2    |
| SECTION 2 DIMENSIONS AND TORQUE    | 3    |
| 2-1 Engine Dimensions              | 3    |
| 2-2 Generator Dimensions           | 7    |
| 2-3 Torque Specification           | 7    |
| 2-4 Standard Torques Specification | 7    |
| SECTION 3 MAINTENANCE              | 8    |
| 3-1 Maintenance Schedule           | 8    |
| 3-2 Engine Oil                     | 9    |
| 3-3 Air Cleaner                    | 10   |
| 3-4 Fuel Sediment Cup Cleaning     | 11   |
| 3-5 Spark Arrester                 | 11   |
| 3-6 Spark Plug                     | 12   |
| 3-7 Valve Clearance                | 13   |
| 3-8 Governor                       | 13   |
| SECTION 4 DISASSEMBLY AND SERVICE  | 14   |
| 4-1 Troubleshooting                | 14   |
| 4-1-1 Hard Starting                | 14   |
| 4-1-2 Low Power                    | 15   |
| 4-1-3 Speed Unstable               | 16   |
| 4-1-4 Low Speed Voltage            | 17   |
| 4-1-5 Exhaust Color Abnormal       | 18   |
| 4-1-6 No AC Output Voltage         | 29   |
| 4-1-7 No DC Output Voltage         | 29   |
| 4-2 Preparing to Service           | 20   |
| 4-2-1 Safety Considerations        | 20   |
| 4-2-2 Special Tools                | 20   |
| 4-3 Disassembly Chart              | 21   |
| 4-4 Engine                         | 22   |
| 4-4-1 Crankshaft / Piston          | 22   |
| 4-4-2 Flywheel / Starter Motor     | 28   |
| 4-4-3 Cylinder head / Valves       | 32   |
| 4-4-4 Recoil Starter / Fan Cover   | 36   |
| 4-4-5 Air Cleaner                  | 39   |
| 4-4-6 Carburetor                   | 40   |
| 4-5 Generator                      | 41   |
| 4-5-1 Fuel Tank                    | 41   |
| 4-5-2 Muffler                      | 42   |
| 4-5-3 Generator                    | 43   |
| 4-5-4 Control Panel                | 47   |
| SECTION 5 WIRING DIAGRAMS          | 52   |
| 5-1 The Wiring Diagram of 5500     | 52   |
| 5-2 The Wiring Diagram of 6500     | 53   |

# SECTION 1. INTRODUCTION

## 1-1 Generator Components



**Please Click Here To Download The Complete Manual**  
**Download Other Manuals**  
**If Having Any Questions Feel Free To Contact us**

**[admin@servicemanualbit.com](mailto:admin@servicemanualbit.com)**